



UNIVERSAL SILENCER

A FLEETGUARD/NELSON COMPANY
 P.O. Box 411, Stoughton, Wisconsin 53589
 608-873-4272 Fax 608-873-4298

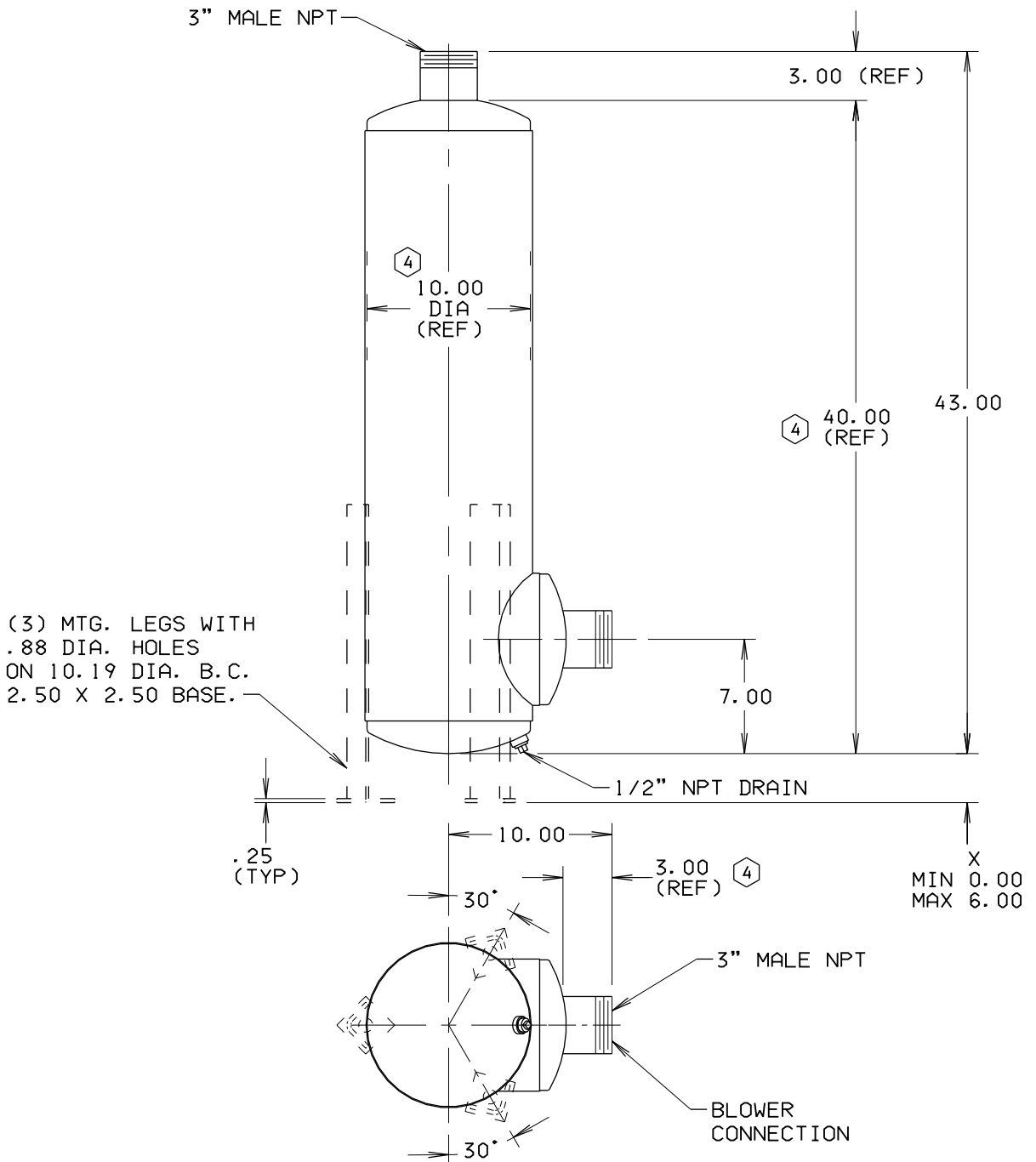
STANDARD RDY-3 DISCHARGE SILENCER

DATE 6-1-98

SHEET OF

SCALE NTS

NO.	3	ADDED (REF) TO NON-CRITICAL DIM.
REVISION	REDRAWN	
NO.	4	
REVISION		
NO.	7-28-99	DY
REVISION	6-1-98	MCM
NO.		
REVISION		
NO.		
REVISION		



DIMENSIONAL DRAWING NO. 57-203-AA

MOUNTING LEGS

YES

NO

X DIM= _____

Y DIM= _____

X+Y DIM= _____

DIMENSIONS CERTIFIED FOR:

P.O. NO: _____

U.S. S.O. NO: _____

BY _____

APPROX WT	50	MATERIAL	STEEL	DRAWN	MCM	DIMENSIONAL DRAWING NO.	57-203-AA	REV.	4
FINISH	88-0102 SHOP COAT PRIMER			CHECK	DO 2-21-00				