



# UNIVERSAL SILENCER

A DIVISION OF NELSON INDUSTRIES, INC.

STOUGHTON, WISCONSIN

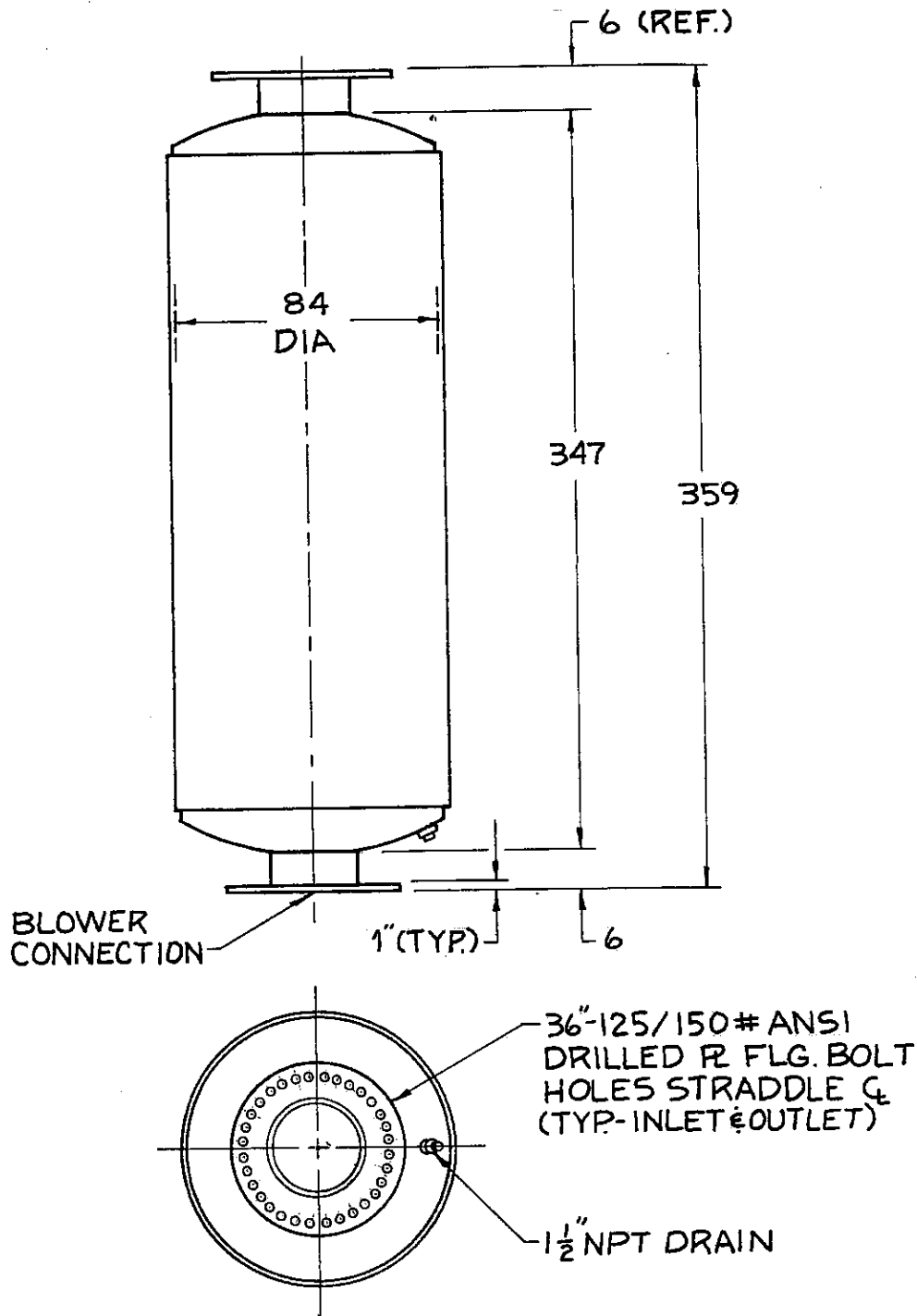
## STANDARD RD-36 DISCHARGE SILENCER

DATE 6-29-87

SHEET OF

SCALE NTS

NO.	1
REVISION	REDRAWN
DATE	6/29/87
BY	[Signature]



DRAWING NO. A-57-136-AA

DIMENSIONS CERTIFIED FOR:	
P.O. NO:	
U.S. S.O. NO:	
BY	DATE

REV. 2	APPROX. WT. 17,000	MATERIAL STEEL	DRAWN SPF	DRAWING NO. A-57-136-AA	REV. 2
	FINISH 88-0102 SHOP COAT PRIMER		CHECK ELK		