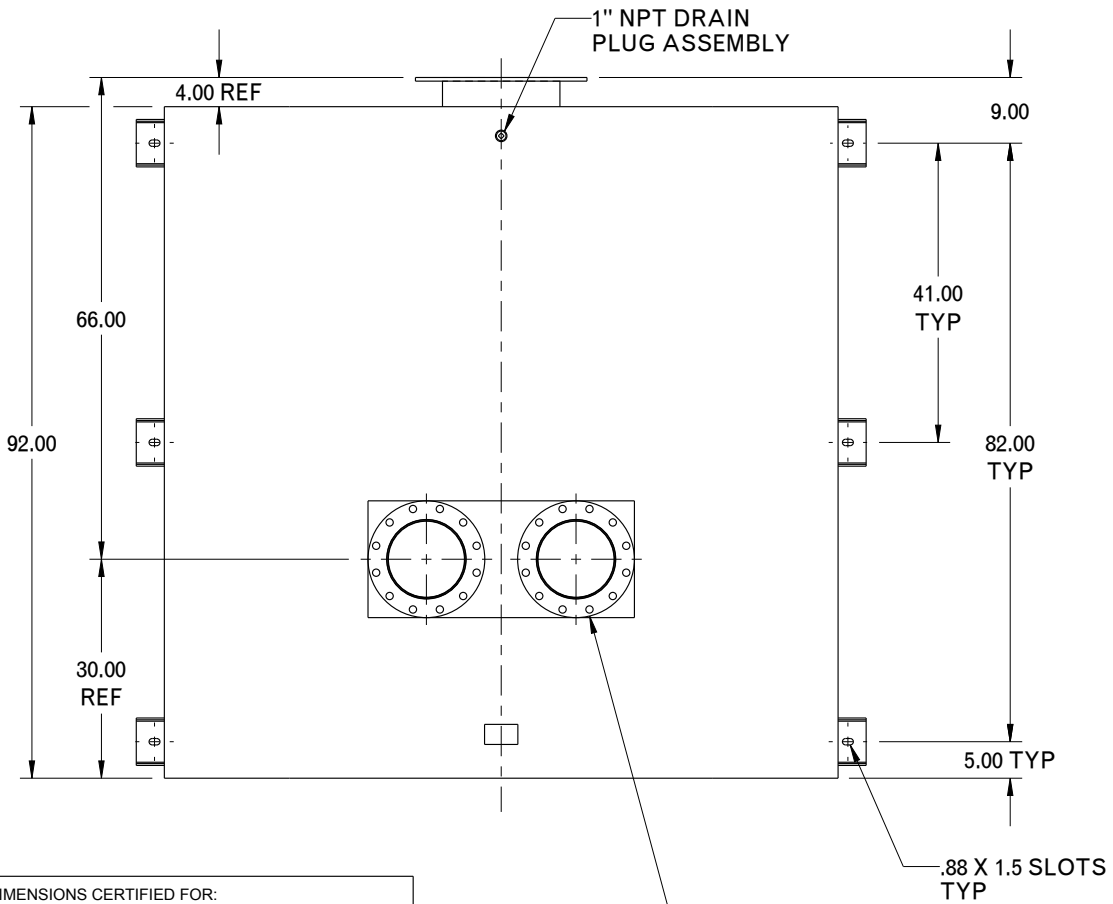
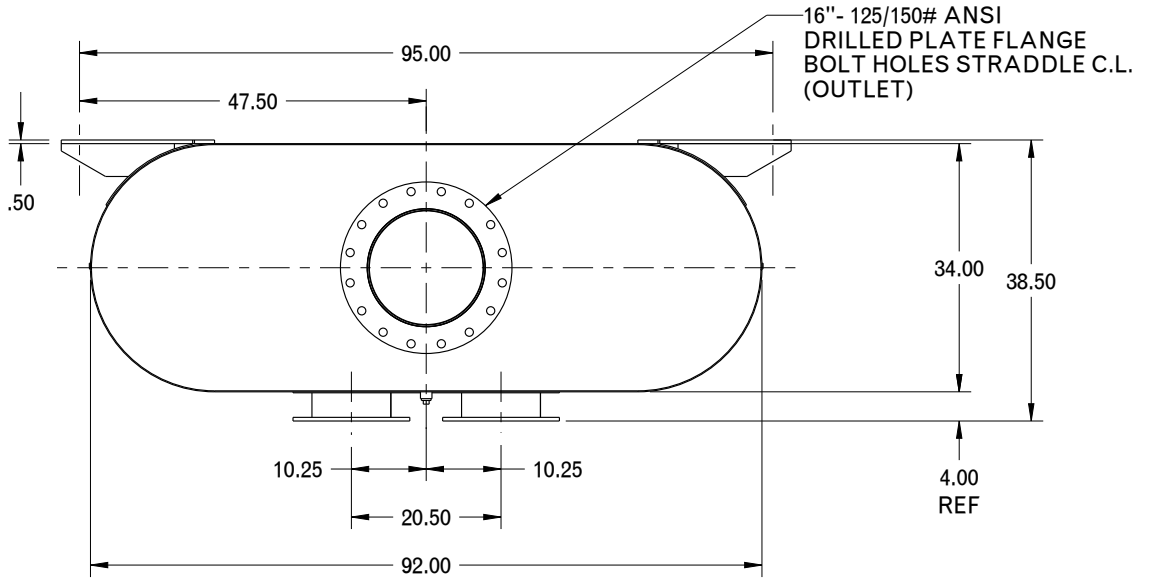


REVISION RECORD

NO.	CHANGE DESCRIPTION	DRAWN	APP'D
-----	--------------------	-------	-------



for Cat 3516 Engines

DIMENSIONS CERTIFIED FOR:

P.O. NO:	
U.S. S.O. NO:	
BY	
DATE	

TOLERANCES UNLESS STATED - SEE FULL SPEC. 88-0075			
(mm)	US customary (")	(mm)	US customary (")
0-300	0-12	±1.6	±1/16
>300-600	>12-24	±3	±1/8
>600-900	>24-36	±5	±3/16
>900-6000	>36-240	±6	±1/4
>6000	>240	±12	±1/2
ANGULAR TOL		±2°	
APPROX. WT.	2400 LBS	MATERIAL	STEEL
FINISH	88-0219 HI-HEAT BLACK PAINT		

Copyright © 2010 UNIVERSAL All Rights Reserved	
This Document and the information contained herein constitutes proprietary property, and shall not be copied or used or disclosed without the express written consent of Universal Acoustic & Emission Technologies Inc.	
NAME	DATE
DRAWN GDG	03OCT2011
CHECKED JDM	05OCT2011

UNIVERSAL Acoustic & Emissions Technologies	DESIGN CONTROL: STOUGHTON
	SCALE: DO NOT SCALE
DESCRIPTION	
SPECIAL 16" w/ 10" DUAL INLETS ULTRA-QUIET LOW-PROFILE EXHAUST SILENCER	
THIRD ANGLE PROJECTION	DESCRIPTION DWG. NO: 6F-916-AB
	SHEET 1 OF 1
	REV. 0