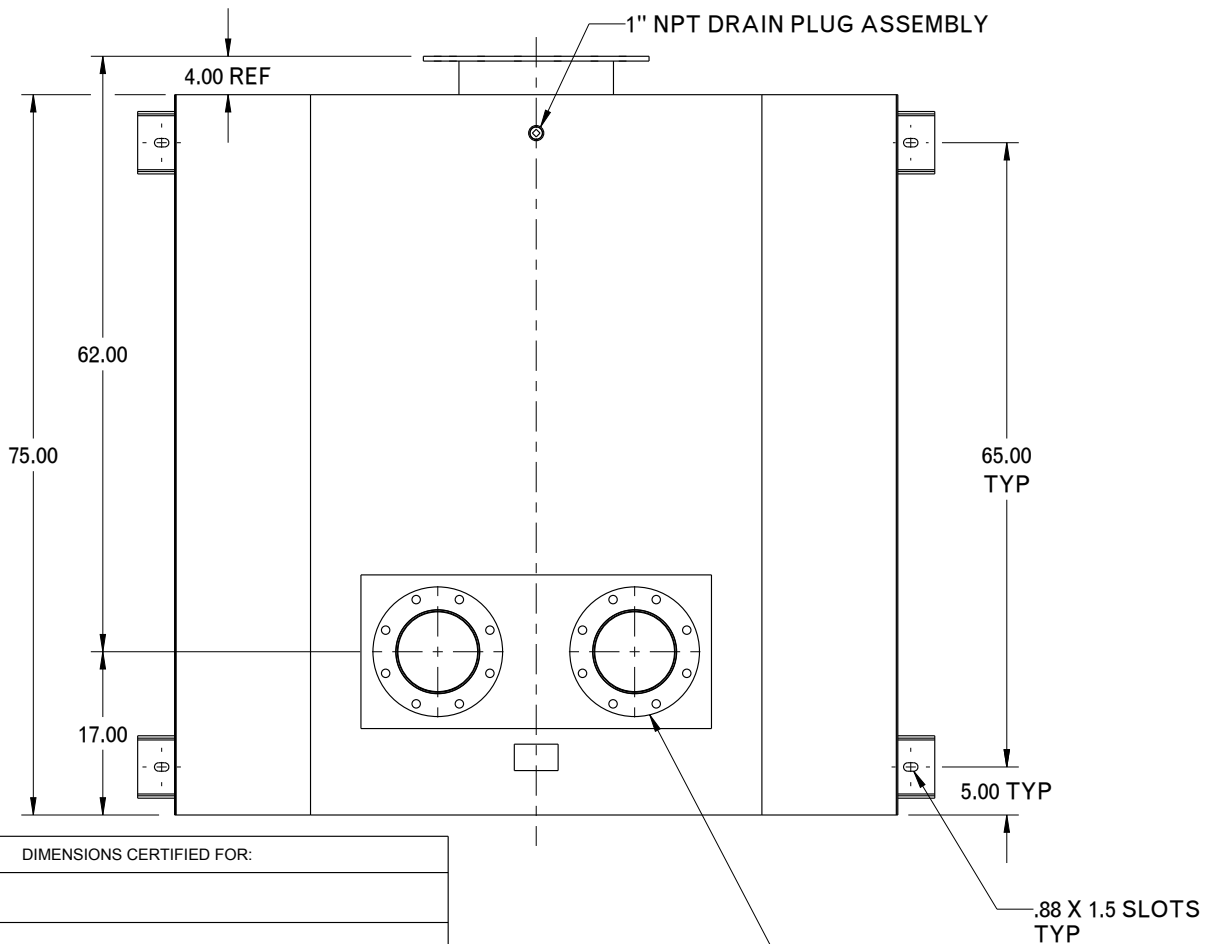
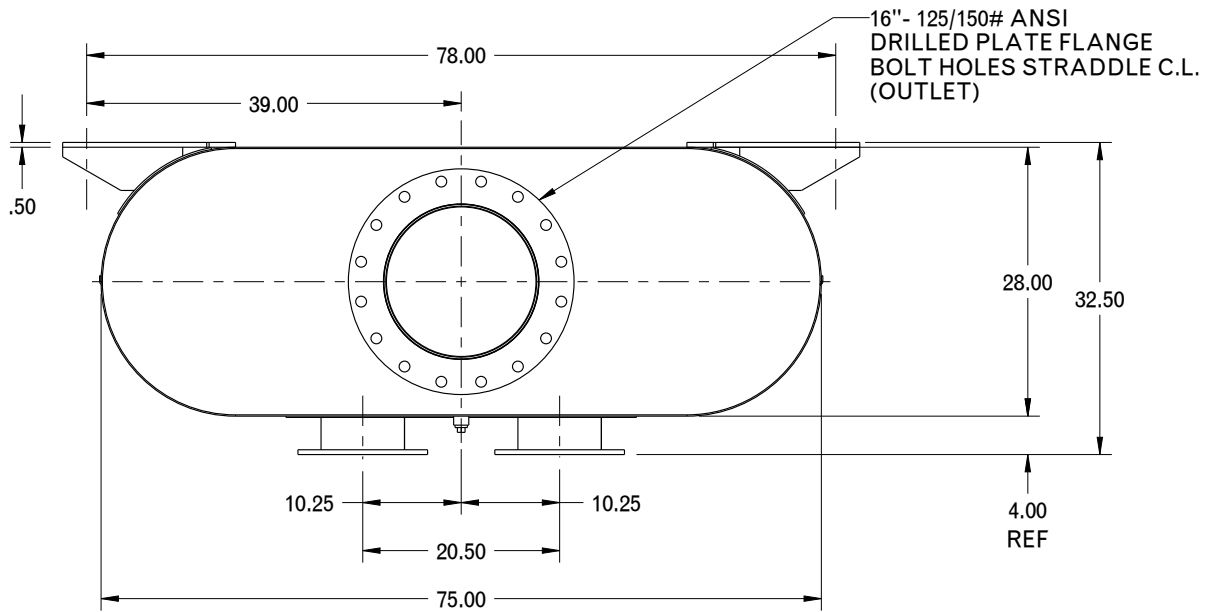


REVISION RECORD

NO.	CHANGE DESCRIPTION	DRAWN	APP'D
-----	--------------------	-------	-------



DIMENSIONS CERTIFIED FOR:

P.O. NO:	
U.S. S.O. NO:	
BY	
DATE	

For Cat 3516 Engines

8\"- 125/150# ANSI DRILLED PLATE FLANGE BOLT HOLES STRADDLE C.L. (BOTH INLETS)

TOLERANCES UNLESS STATED - SEE FULL SPEC. 88-0075			
(mm)	US customary (")	(mm)	US customary (")
0-300	0-12	±1.6	±1/16
>300-600	>12-24	±3	±1/8
>600-900	>24-36	±5	±3/16
>900-6000	>36-240	±6	±1/4
>6000	>240	±12	±1/2
ANGULAR TOL		±2°	
APPROX. WT.	1660 LBS	MATERIAL	304 SS
FINISH	NONE		

Copyright © 2010 UNIVERSAL  
All Rights Reserved

This Document and the information contained herein constitutes proprietary property, and shall not be copied or used or disclosed without the express written consent of Universal Acoustic & Emission Technologies Inc.

NAME	DATE
DRAWN JDM	26MAY2011
CHECKED GDG	26MAY2011

<p><b>UNIVERSAL</b> Acoustic &amp; Emissions Technologies</p>	DESIGN CONTROL: STOUGHTON
	SCALE: DO NOT SCALE
DESCRIPTION	
<p>SPECIAL 16" w/ 8" DUAL INLETS HOSPITAL GRADE LOW-PROFILE EXHAUST SILENCER</p>	
THIRD ANGLE PROJECTION	DIMENSIONAL DWG. NO:
	<p>6F-816-AB</p>
SHEET	REV.
1 OF 1	0