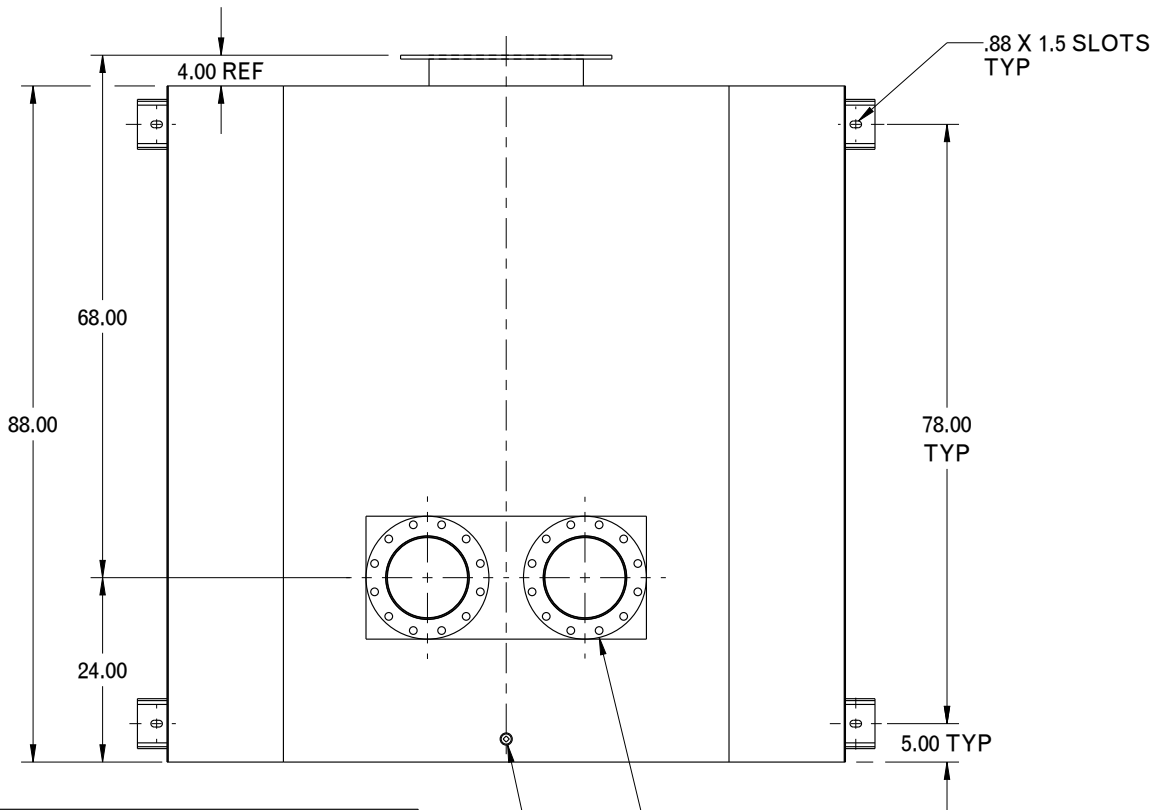
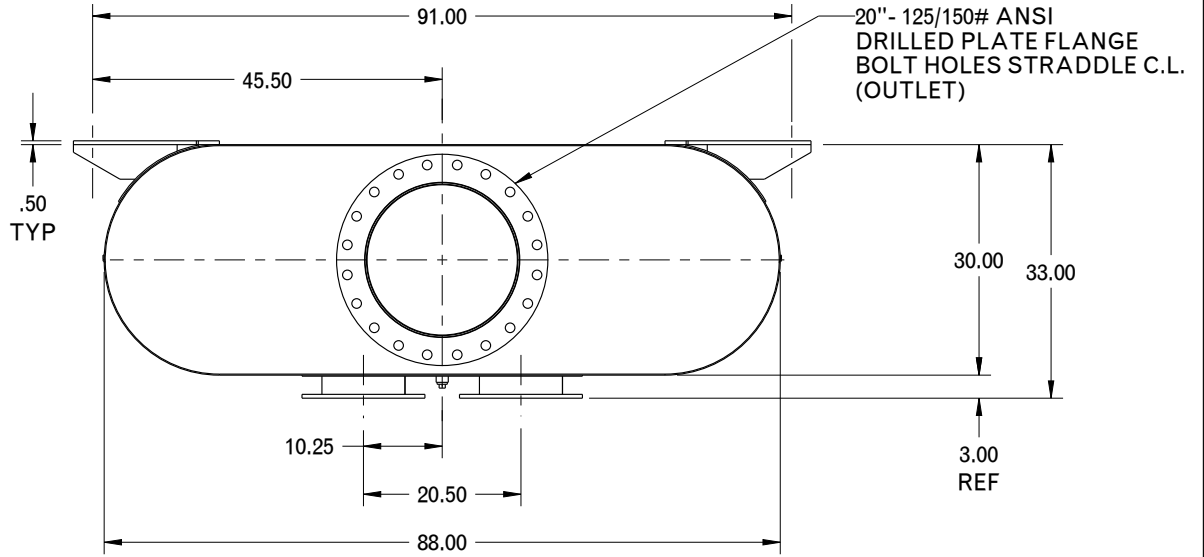


REVISION RECORD

NO.	CHANGE DESCRIPTION	DRAWN	APP'D
1	UPDATED WEIGHT	RPE 29SEP2011	JDM 30SEP2011



DIMENSIONS CERTIFIED FOR:

P.O. NO:
U.S. S.O. NO:
BY
DATE

10"- 125/150# ANSI
DRILLED PLATE FLANGE
BOLT HOLES STRADDLE C.L.
(BOTH INLETS)

1" NPT DRAIN PLUG ASSEMBLY

For Cat 3516 Engines

TOLERANCES UNLESS STATED - SEE FULL SPEC. 88-0075			
(mm)	US customary (")	(mm)	US customary (")
0-300	0-12	±1.6	±1/16
>300-600	>12-24	±3	±1/8
>600-900	>24-36	±5	±3/16
>900-6000	>36-240	±6	±1/4
>6000	>240	±12	±1/2
ANGULAR TOL		±2°	
APPROX. WT.	1650 LBS	MATERIAL	STEEL
FINISH	88-0219 HIGH HEAT SATIN BLACK		

Copyright © 2010 UNIVERSAL All Rights Reserved	
This Document and the information contained herein constitutes proprietary property, and shall not be copied or used or disclosed without the express written consent of Universal Acoustic & Emission Technologies Inc.	
NAME	DATE
DRAWN RPE	1SEP2011
CHECKED JDM	2SEP2011

UNIVERSAL
Acoustic & Emissions Technologies

DESIGN CONTROL:	STOUGHTON
SCALE:	DO NOT SCALE

DESCRIPTION	SPECIAL 20" w/ 10" DUAL INLETS LOW-PROFILE EXHAUST SILENCER		
THIRD ANGLE PROJECTION	DIMENSIONAL DWG. NO:	SHEET	REV.
	6F-720-AC	1 OF 1	1