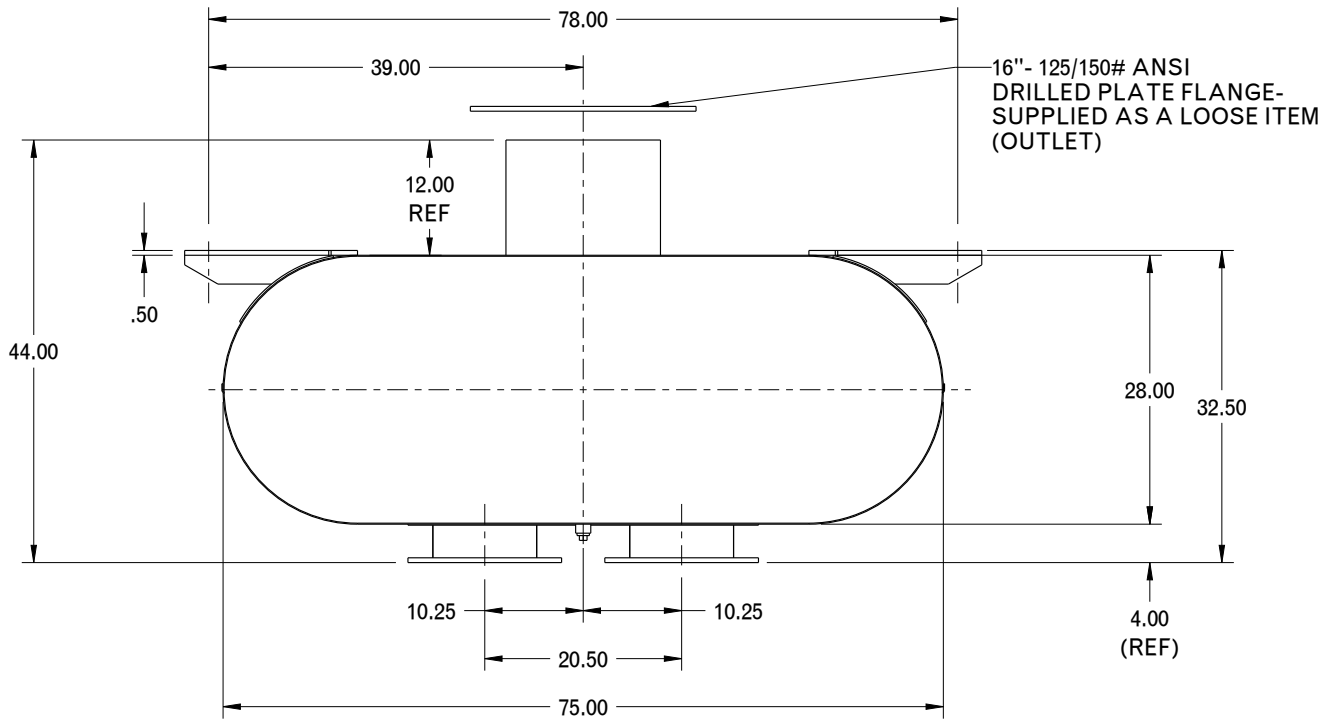
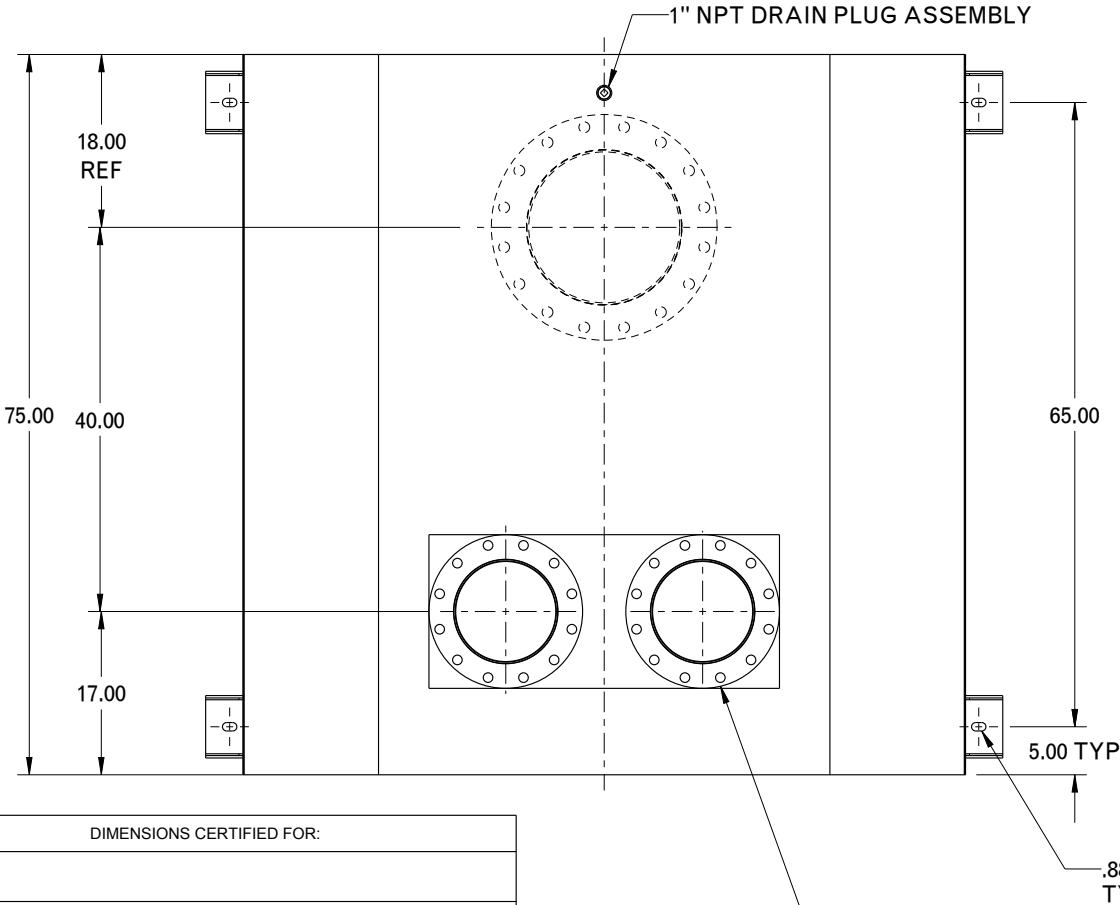


REVISION RECORD

NO.	CHANGE DESCRIPTION	DRAWN	APP'D
-----	--------------------	-------	-------



16"- 125/150# ANSI DRILLED PLATE FLANGE- SUPPLIED AS A LOOSE ITEM (OUTLET)



Cat 3516 Engines

10"- 125/150# ANSI DRILLED PLATE FLANGE BOLT HOLES STRADDLE C.L. (BOTH INLETS)

DIMENSIONS CERTIFIED FOR:

P.O. NO:	
U.S. S.O. NO:	
BY	
DATE	

TOLERANCES UNLESS STATED - SEE FULL SPEC. 88-0075			
(mm)	US customary (")	(mm)	US customary (")
0-300	0-12	±1.6	±1/16
>300-600	>12-24	±3	±1/8
>600-900	>24-36	±5	±3/16
>900-6000	>36-240	±6	±1/4
>6000	>240	±12	±1/2
ANGULAR TOL		±2 °	
APPROX. WT.	1500 LBS	MATERIAL	STEEL
FINISH	88-0219 BLACK HIGH HEAT ENAMEL		

Copyright © 2010 UNIVERSAL All Rights Reserved	
This Document and the information contained herein constitutes proprietary property, and shall not be copied or used or disclosed without the express written consent of Universal Acoustic & Emission Technologies Inc.	
NAME	DATE
DRAWN GDG	21APR2011
CHECKED JDM	21APR2011

<b>UNIVERSAL</b> Acoustic & Emissions Technologies	DESIGN CONTROL: STOUGHTON
	SCALE: DO NOT SCALE
DESCRIPTION SPECIAL 16" W/10" DUAL INLETS HOSPITAL GRADE LOW-PROFILE EXHAUST SILENCER	
THIRD ANGLE PROJECTION	DIMENSIONAL DWG. NO. SHEET REV.
	6D-816-AB 1 OF 1 0