

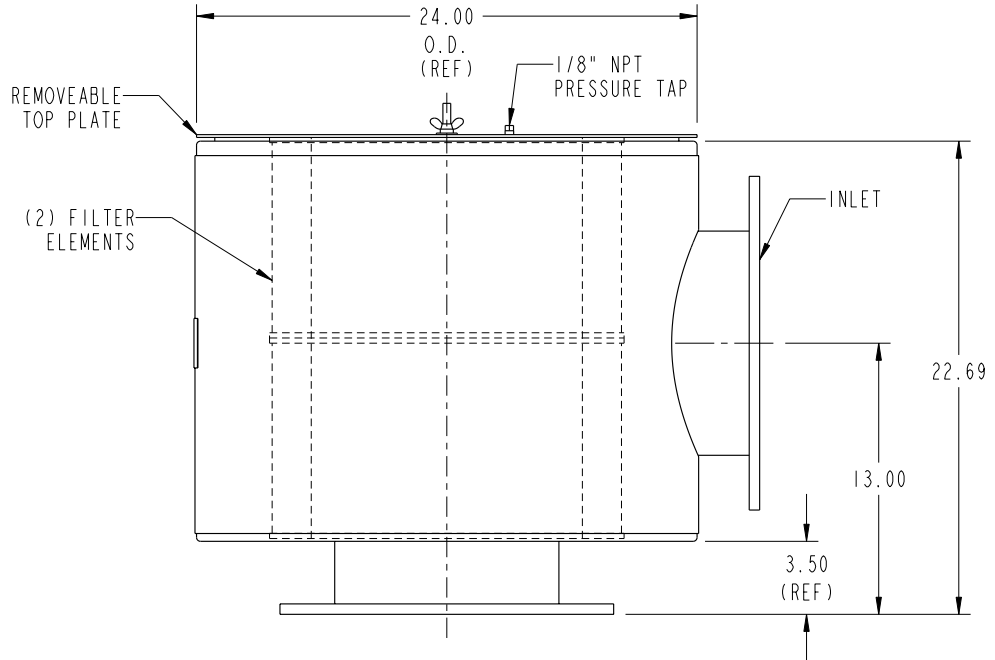


UNIVERSAL SILENCER
 A FLEETGUARD COMPANY
 P.O. Box 411, Stoughton, Wisconsin 53589
 608-873-4272 Fax 608-873-4298

**STANDARD ILFV-10
 INLINE AIR FILTER**

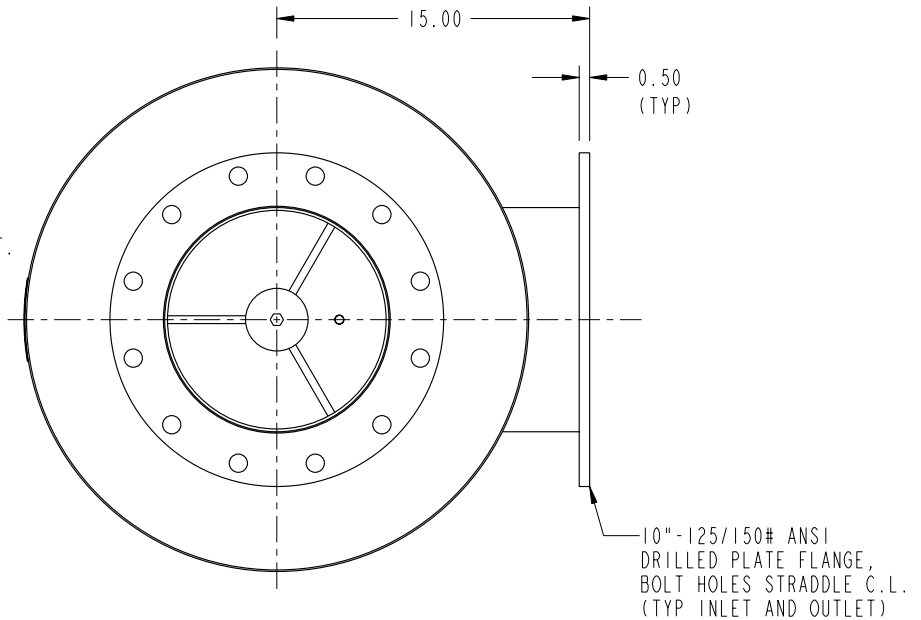
DATE 2-8-06
 SHEET OF
 SCALE 0.110"=1"

NO.	1
REVISION	UPDATED AND REDRAWN IN PROJE
DRAWN	MCM 2-8-06
APP'D	JSM 2-8-06

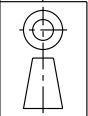


NOTES:

- CLEARANCE REQUIRED FOR FILTER ACCESS IS 11.00" ABOVE TOP PLATE
- NOMINAL CAPACITY: 3,000 CFM AT FLOW RATE OF APPROX. 5,500 FT/MIN.
- CLEAN OR REPLACE FILTER WHEN ΔP INCREASES 4.00" H₂O OVER CLEAN ELEMENT.
- WEIGHT SHOWN DOES NOT INCLUDE WEIGHT OF FILTER ELEMENT.
- PART NUMBER WAS 34-D10-AF



This document contains CONFIDENTIAL and PROPRIETARY information of Universal Silencer, a Division of Nelson Industries, Inc. Any disclosure or unauthorized use without the express written consent of Universal Silencer is PROHIBITED.



DIMENSIONAL DRAWING NO.
34-D10-AAP

FILTER ELEMENTS INCLUDED (APPLIED ONLY TO ORDER FOR WHICH DRAWING IS CERTIFIED)				MOUNTING LEGS YES <input type="checkbox"/> NO <input type="checkbox"/>		DIMENSIONS CERTIFIED FOR:	
FILTER TYPE AND PART NUMBER		SINGLE STAGE	DUAL STAGE		P.O. NO:		U.S. S.O. NO:
CC-12P (PAPER) 81-1163		2	PRE-FILTER	FINAL FILTER	BY		
APPROX WT 125 LBS MATERIAL STEEL				DRAWN MCM		DIMENSIONAL DRAWING NO.	
FINISH 88-1085 BLUE ENAMEL				CHECK JSM 2-8-06		34-D10-AAP	
REV. 1							REV. 1