



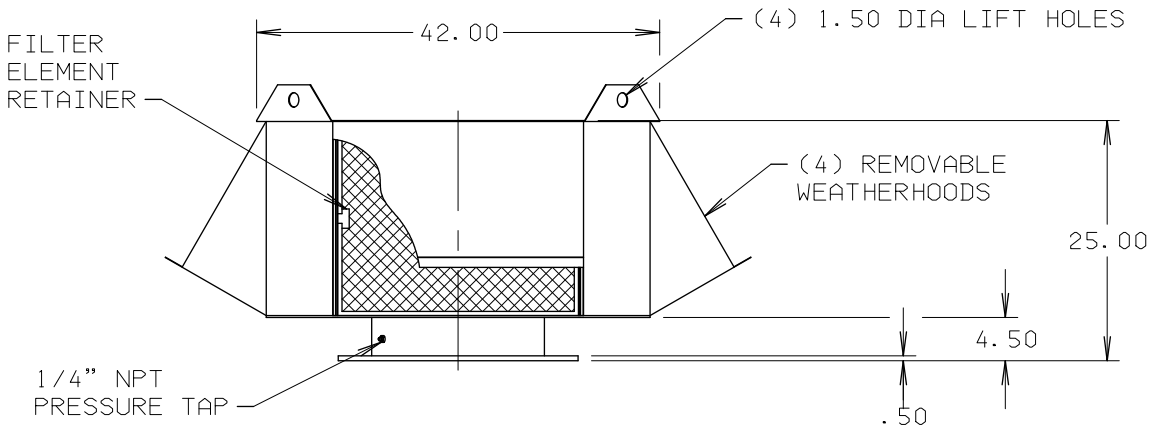
# UNIVERSAL SILENCER

A FLEETGUARD/NELSON COMPANY  
P.O. Box 411, Stoughton, Wisconsin 53589  
608-873-4272 Fax 608-873-4298

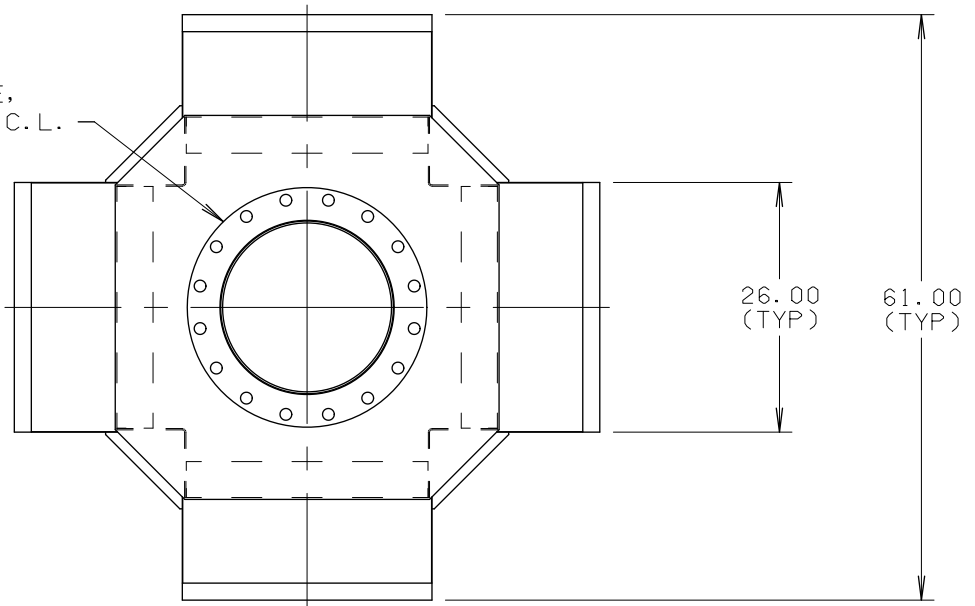
## STANDARD FSH-18-4 AIR INTAKE FILTER SILENCER

DATE 6-19-97  
SHEET OF  
SCALE NTS

NO.  
REVISION  
DRAWN  
APP'D  
This document contains CONFIDENTIAL and PROPRIETARY information of Universal Silencer, a Division of Nelson Industries, Inc. Any disclosure or unauthorized use without the express written consent of Universal Silencer is PROHIBITED.



18"-125/150# ANSI  
DRILLED PLATE FLANGE,  
BOLT HOLES STRADDLE C.L.



### NOTES:

- 1 WT. DOES NOT INCLUDE WT. OF FILTER ELEMENTS.

FILTER ELEMENTS INCLUDED (APPLIED ONLY TO ORDER FOR WHICH DRAWING IS CERTIFIED)

DIMENSIONS CERTIFIED FOR:

FILTER TYPE AND PART NUMBER

SINGLE STAGE

DUAL STAGE

PRE-FILTER

FINAL FILTER

P.O. NO:

U.S. S.O. NO:

BY

DATE

APPROX WT 330 <sup>1</sup> MATERIAL STEEL

DRAWN JMC

DIMENSIONAL DRAWING NO.

REV.

FINISH 88-0116 BLUE ENAMEL

CHECK

37-818-AA



37-818-AA

