



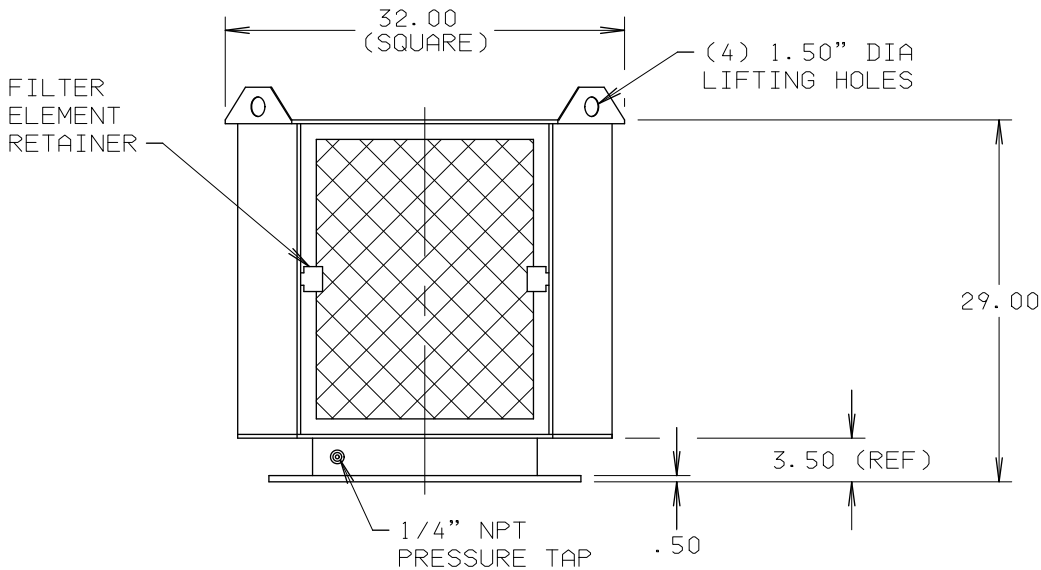
# UNIVERSAL SILENCER

A FLEETGUARD/NELSON COMPANY  
P.O. Box 411, Stoughton, Wisconsin 53589  
608-873-4272 Fax 608-873-4298

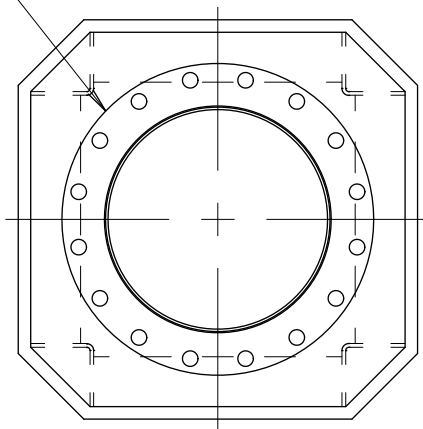
## STANDARD FH-18-4 AIR INTAKE FILTER

DATE 08-21-00  
SHEET OF  
SCALE NTS

NO.  
REVISION  
DRAWN  
APP'D  
This document contains CONFIDENTIAL and PROPRIETARY information of Universal Silencer, a Division of Nelson Industries, Inc. Any disclosure or unauthorized use without the express written consent of Universal Silencer is PROHIBITED.



18"-125/150# ANSI  
DRILLED PLATE FLANGE,  
BOLT HOLES STRADDLE C.L.



### NOTES:

① WT. SHOWN DOES NOT INCLUDE WT. OF FILTER ELEMENTS.

FILTER ELEMENTS INCLUDED (APPLIED ONLY TO ORDER FOR WHICH DRAWING IS CERTIFIED)

DIMENSIONS CERTIFIED FOR:

FILTER TYPE AND PART NUMBER

SINGLE STAGE

DUAL STAGE

PRE-FILTER

FINAL FILTER

P. O. NO:

U. S. S. O. NO:

BY

DATE

DIMENSIONAL DRAWING NO.

36-818-AAN

REV. APPROX WT 180 ① MATERIAL STEEL

DRAWN DY

DIMENSIONAL DRAWING NO.

REV.

FINISH 88-0116 BLUE ENAMEL

CHECKMB 08-22-00

36-818-AAN

0