



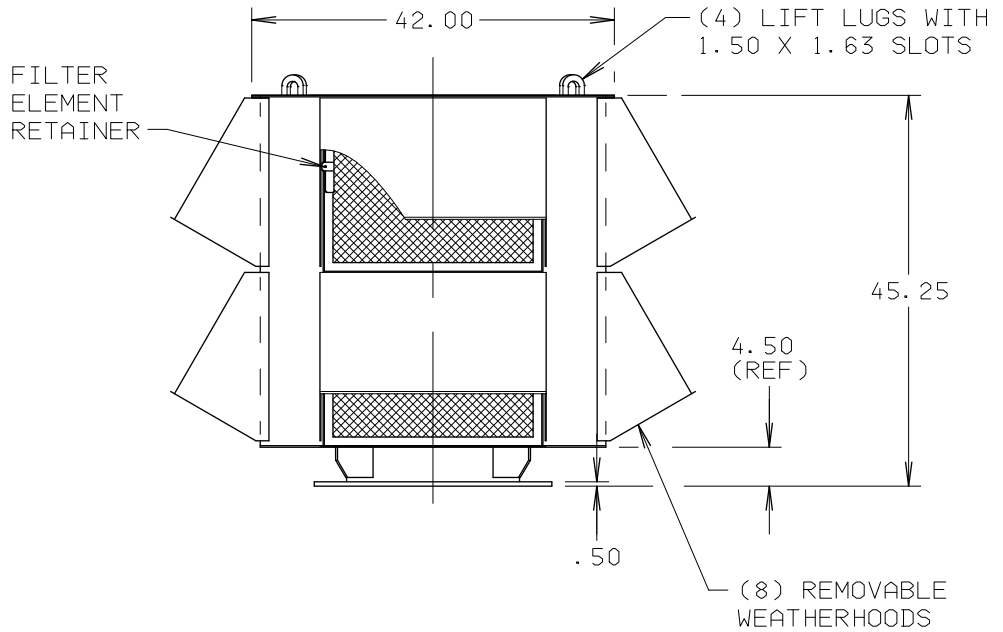
UNIVERSAL SILENCER

A FLEETGUARD/NELSON COMPANY
 P.O. Box 411, Stoughton, Wisconsin 53589
 608-873-4272 Fax 608-873-4298

STANDARD FH-24-8 AIR INTAKE FILTER SILENCER

DATE 2-26-96
 SHEET OF
 SCALE NTS

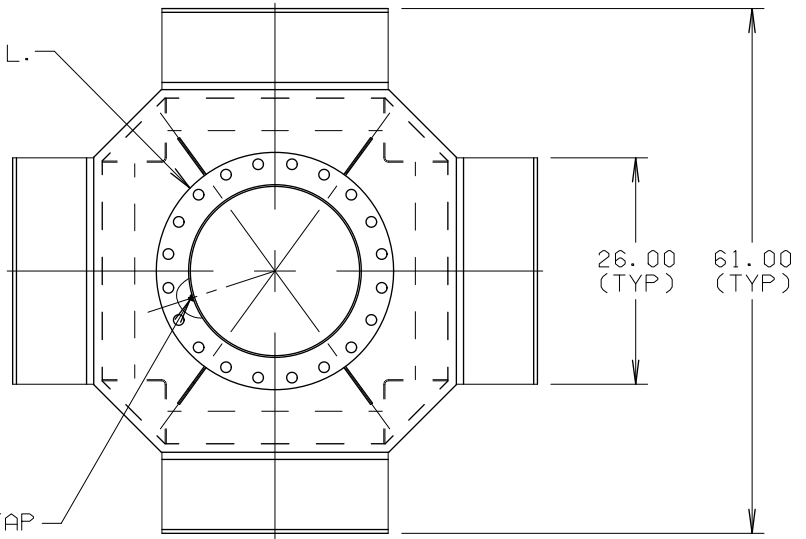
NO.
 REVISION
 DRAWN
 APP'D
 This document contains CONFIDENTIAL and PROPRIETARY information of Universal Silencer, a Division of Nelson Industries, Inc. Any disclosure or unauthorized use without the express written consent of Universal Silencer is PROHIBITED.



24"-125/150# ANSI
 DRILLED PLATE FLANGE,
 BOLT HOLES STRADDLE C.L.

NOTES:

WT. SHOWN DOES NOT
 INCLUDE THE WT. OF
 THE FILTER ELEMENTS.



1/4" NPT
 PRESSURE TAP

FILTER ELEMENTS INCLUDED (APPLIED ONLY TO ORDER
 FOR WHICH DRAWING IS CERTIFIED)

DIMENSIONS CERTIFIED FOR:

FILTER TYPE
 AND PART NUMBER

SINGLE
 STAGE

DUAL STAGE

PRE-FILTER

FINAL FILTER

P.O. NO:

U.S. S.O. NO:

BY

DATE

DIMENSIONAL DRAWING NO. 36-624-AA

REV. APPROX WT 450 MATERIAL STEEL

DRAWN JMC

DIMENSIONAL DRAWING NO.

REV.

FINISH 88-0116 BLUE ENAMEL

CHECK

36-624-AA