



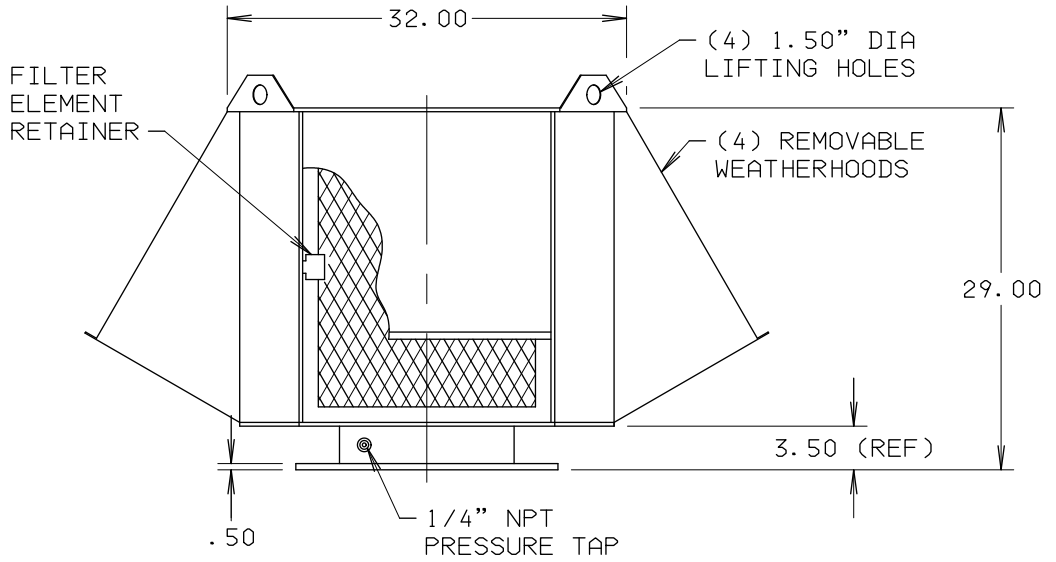
UNIVERSAL SILENCER

A FLEETGUARD/NELSON COMPANY
 P.O. Box 411, Stoughton, Wisconsin 53589
 608-873-4272 Fax 608-873-4298

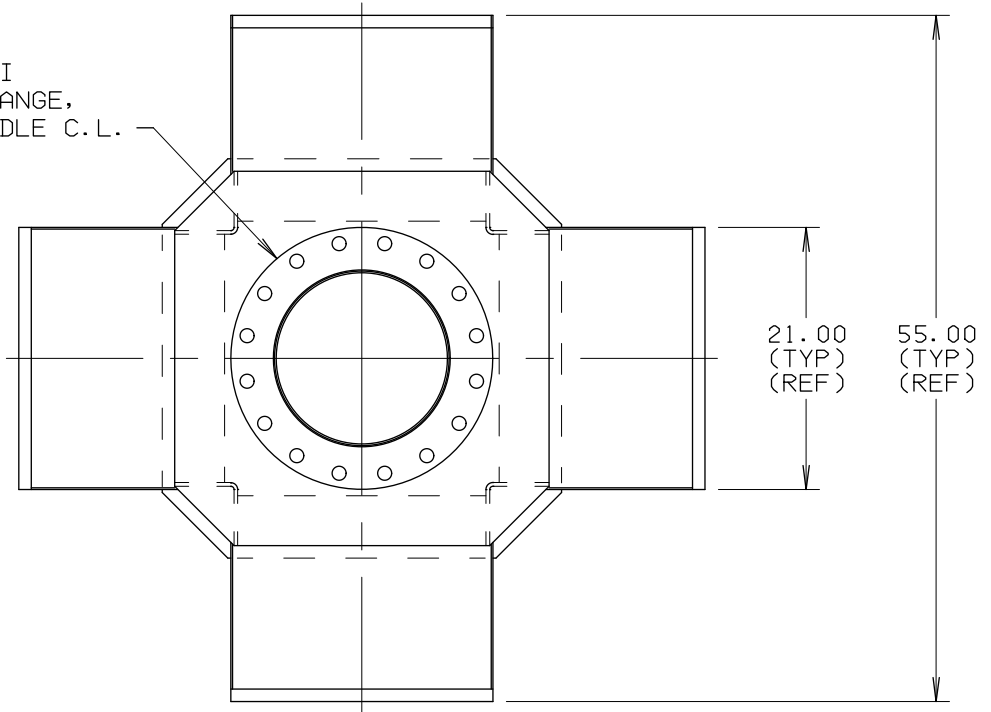
STANDARD FH-16-4 AIR INTAKE FILTER

DATE 12-27-99
 SHEET OF
 SCALE NTS

NO.
 REVISION
 DRAWN
 APP'D
 This document contains CONFIDENTIAL and PROPRIETARY information of Universal Silencer, a Division of Nelson Industries, Inc. Any disclosure or unauthorized use without the express written consent of Universal Silencer is PROHIBITED.



16"-125/150# ANSI
 DRILLED PLATE FLANGE,
 BOLT HOLES STRADDLE C.L.



NOTES:
 WT. SHOWN DOES NOT INCLUDE WT. OF FILTER ELEMENTS.

FILTER ELEMENTS INCLUDED (APPLIED ONLY TO ORDER FOR WHICH DRAWING IS CERTIFIED)

DIMENSIONS CERTIFIED FOR:

FILTER TYPE AND PART NUMBER	SINGLE STAGE	DUAL STAGE		P.O. NO:
		PRE-FILTER	FINAL FILTER	
P-11 (PAPER) 810326	4			U.S. S.O. NO:
				BY
				DATE

APPROX WT 215	MATERIAL STEEL	DRAWN VED	DIMENSIONAL DRAWING NO. 36-616-AAH	REV. 0
FINISH 88-0116 BLUE ENAMEL		CHECK MB 12-28-99		

DIMENSIONAL DRAWING NO. 36-616-AAH