



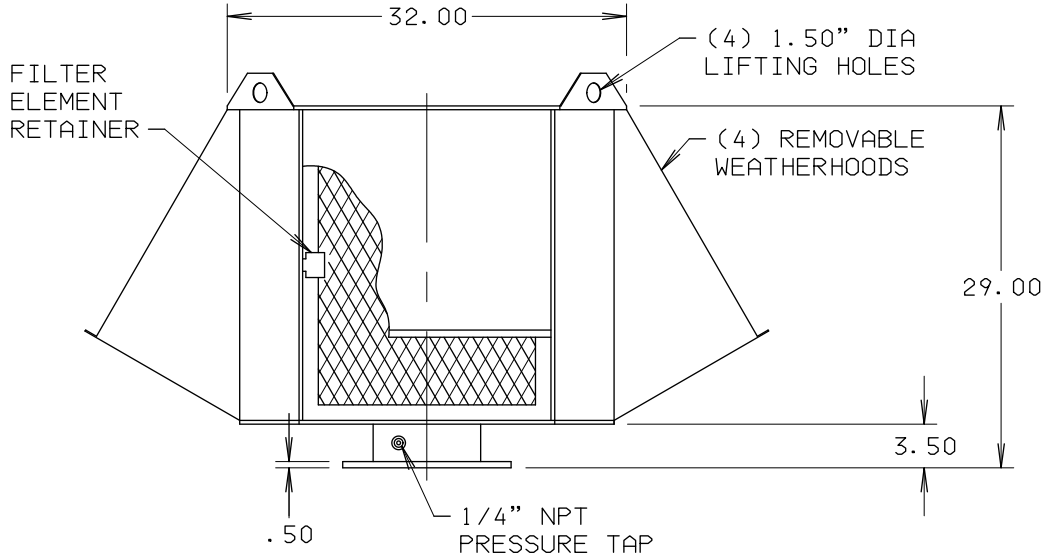
# UNIVERSAL SILENCER

A FLEETGUARD/NELSON COMPANY  
 P.O. Box 411, Stoughton, Wisconsin 53589  
 608-873-4272 Fax 608-873-4298

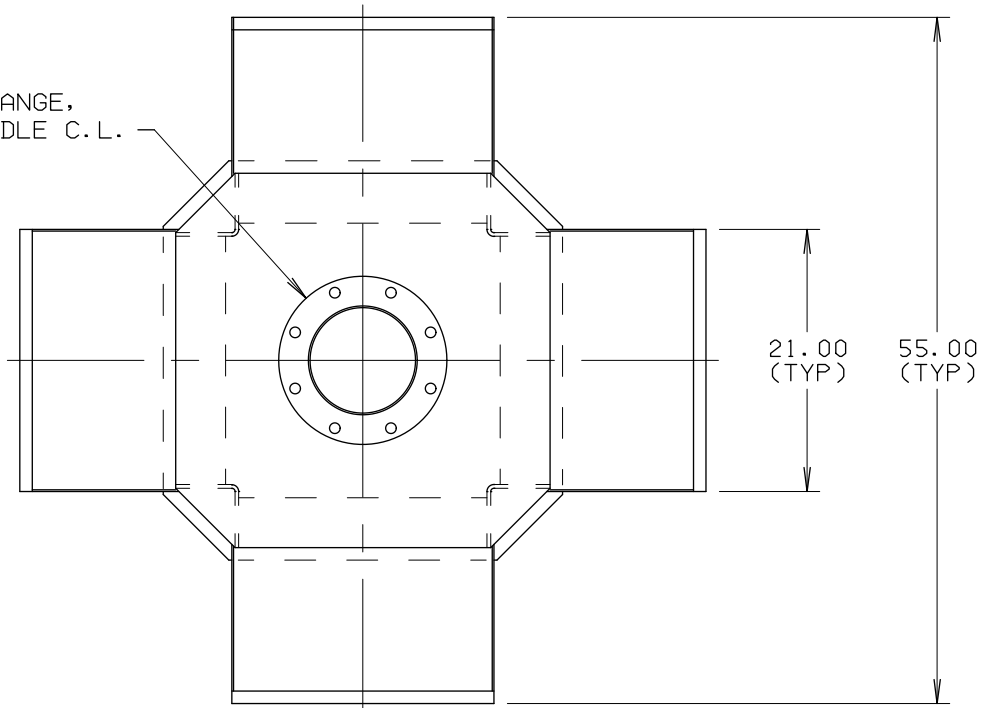
## SPECIAL FH-8-4 AIR INTAKE FILTER

DATE 4-29-97  
 SHEET OF  
 SCALE NTS

NO.  
 REVISION  
 DRAWN  
 APP'D  
 This document contains CONFIDENTIAL and PROPRIETARY information of Universal Silencer, a Division of Nelson Industries, Inc. Any disclosure or unauthorized use without the express written consent of Universal Silencer is PROHIBITED.



8"-125/150# ANSI  
 DRILLED PLATE FLANGE,  
 BOLT HOLES STRADDLE C.L.



NOTES:  
 WT. SHOWN DOES NOT INCLUDE WT. OF FILTER ELEMENTS.

DIMENSIONAL DRAWING NO. 36-608-AA

FILTER ELEMENTS INCLUDED (APPLIED ONLY TO ORDER FOR WHICH DRAWING IS CERTIFIED)				DIMENSIONS CERTIFIED FOR:	
FILTER TYPE AND PART NUMBER	SINGLE STAGE	DUAL STAGE		P.O. NO:	U.S. S.O. NO:
		PRE-FILTER	FINAL FILTER		
				BY	DATE

REV.	APPROX WT 195	MATERIAL STEEL	DRAWN MCM	DIMENSIONAL DRAWING NO. 36-608-AA	REV. 0
	FINISH 88-0116	BLUE ENAMEL	CHECK		