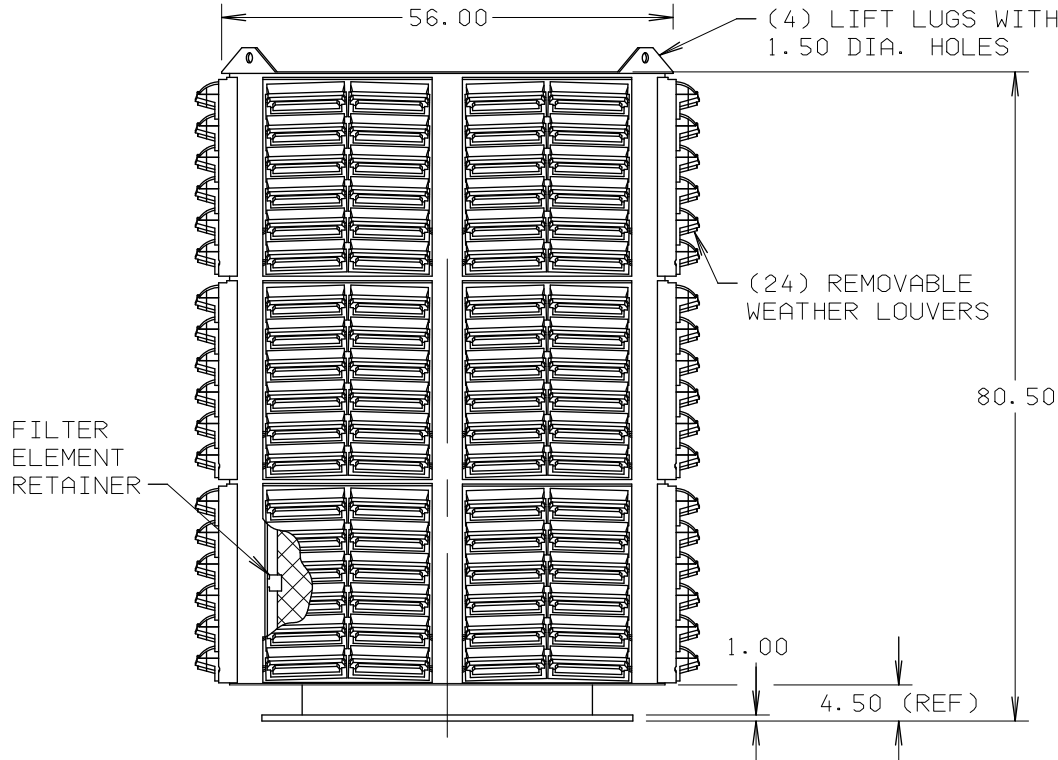


NO.
 REVISION
 DRAWN
 APP'D
 This document contains CONFIDENTIAL and PROPRIETARY information of Universal Silencer, a Division of Nelson Industries, Inc. Any disclosure or unauthorized use without the express written consent of Universal Silencer is PROHIBITED.

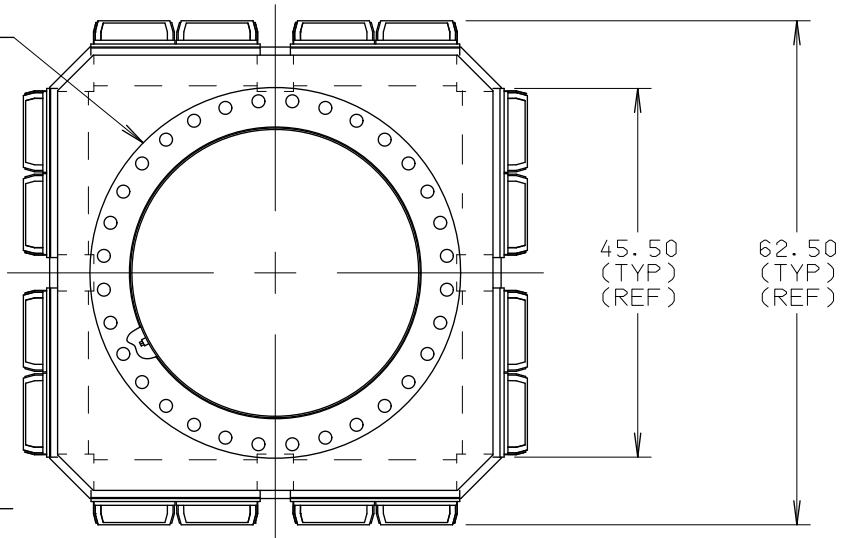


36"-125/150# ANSI
 DRILLED PLATE FLANGE,
 BOLT HOLES STRADDLE C.L.

NOTES:

- ① WT. SHOWN DOES NOT INCLUDE THE WT. OF FILTER ELEMENTS.
- ② BLACK HDPE PLASTIC WEATHER LOUVERS ARE NOT PAINTED (NON-PAINTABLE MATERIAL).

1/4" NPT
 PRESSURE TAP



FILTER ELEMENTS INCLUDED (APPLIED ONLY TO ORDER FOR WHICH DRAWING IS CERTIFIED)

DIMENSIONS CERTIFIED FOR:

FILTER TYPE AND PART NUMBER

SINGLE STAGE

DUAL STAGE

PRE-FILTER

FINAL FILTER

P.O. NO:

U.S. S.O. NO:

BY

DATE

DIMENSIONAL DRAWING NO. 36-336-AAL

REV.	APPROX WT 970 ①	MATERIAL STEEL ②	DRAWN DY	DIMENSIONAL DRAWING NO.	REV.
	FINISH 88-0116 BLUE ENAMEL ②		CHECK MB 04-26-01	36-336-AAL	0