



UNIVERSAL SILENCER

A DIVISION OF NELSON INDUSTRIES, INC.
STOUGHTON, WISCONSIN 53589 U.S.A.

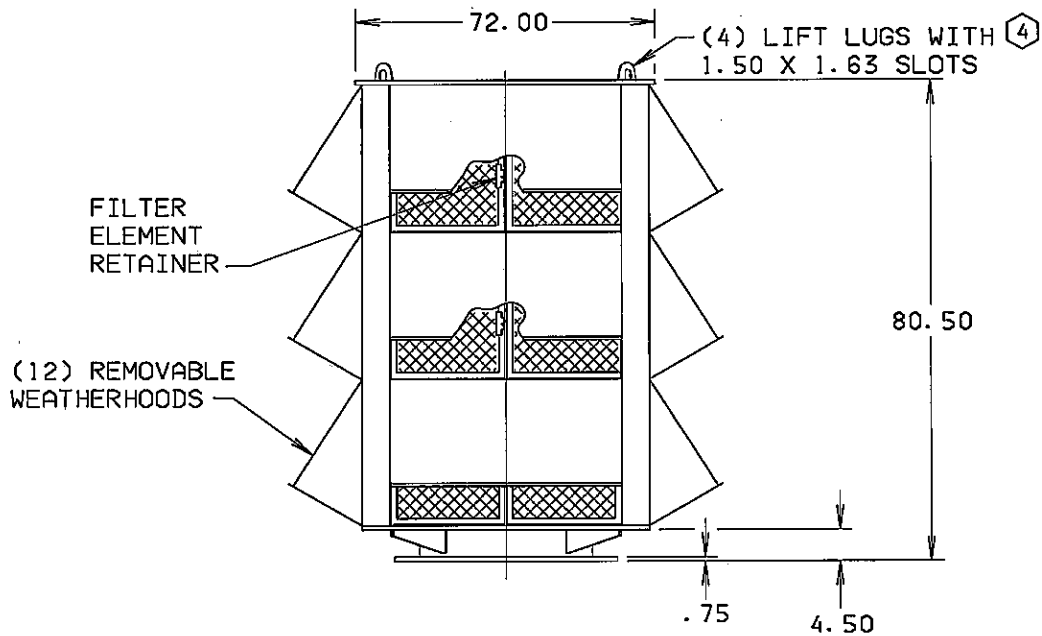
**STANDARD FCRH-30-300
AIR INTAKE FILTER SILENCER**

DATE 12-11-96

SHEET OF

SCALE NTS

NO.	4
REVISION	REDRAWN, ADDED LIFT LUGS
DATE	12-11-96
BY	MCM

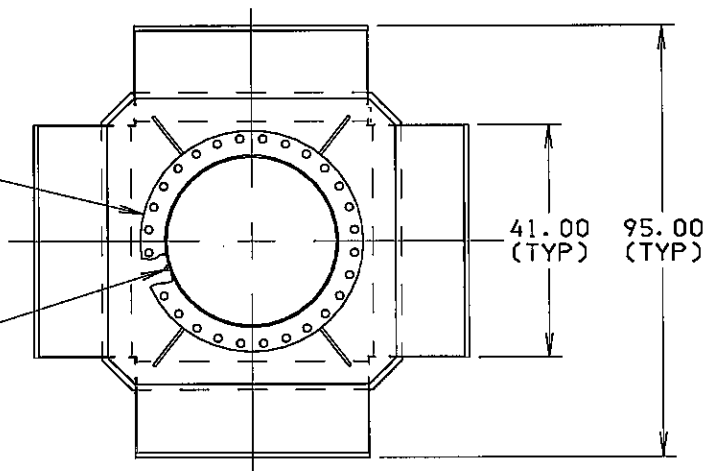


NOTE:

- WT. DOES INCLUDE WT. OF FILTER ELEMENT

30"-125/150# ANSI
DRILLED PL. FLG.
BOLT HOLES STRADDLE C.L.

1/4" NPT
PRESSURE TAP



DRAWING NO.
A-39-530-AA

FILTER ELEMENTS INCLUDED (APPLIED ONLY TO ORDER FOR WHICH DRAWING IS CERTIFIED)			DIMENSIONS CERTIFIED FOR:	
FILTER TYPE AND PART NUMBER	SINGLE STAGE	DUAL STAGE		P.O. NO:
		PRE-FILTER	FINAL FILTER	
W2-40 (81-0165) WIRE MESH		24		U.S. S.O. NO:
P-5 (81-0317) PAPER			288	BY
				DATE
APPROX WT 2515	MATERIAL STEEL	DRAWN MCM	DRAWING NO.	REV.
FINISH 88-0116 BLUE ENAMEL	CHECK		A-39-530-AA	4

REV. **4**