

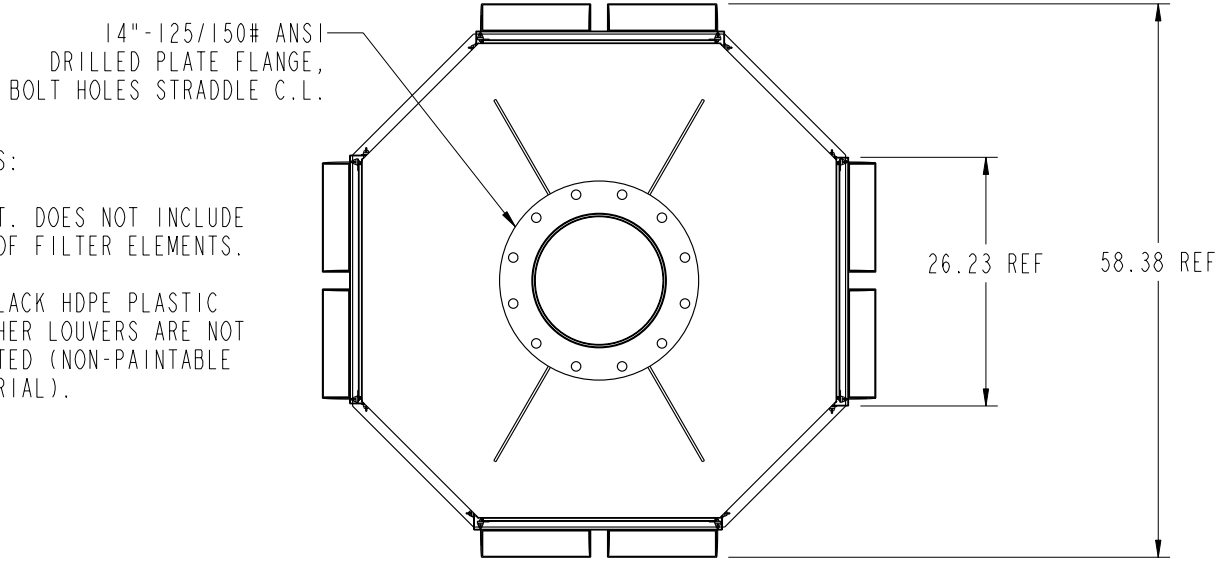
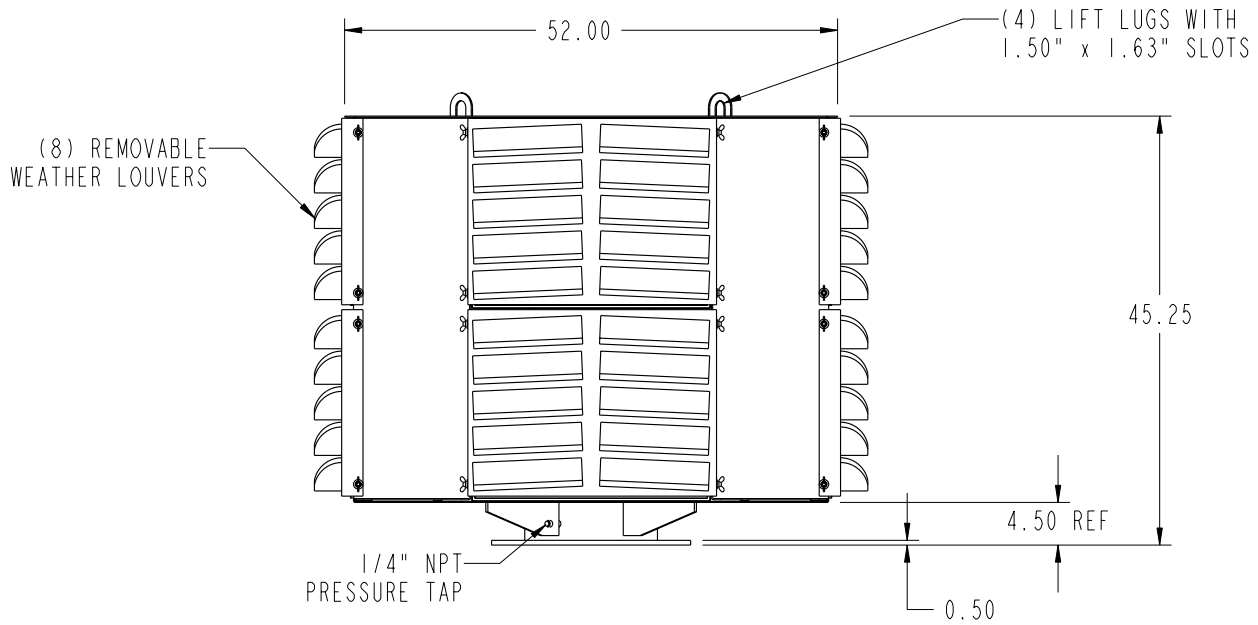


UNIVERSAL SILENCER
 A FLEETGUARD COMPANY
 P.O. Box 411, Stoughton, Wisconsin 53589
 608-873-4272 Fax 608-873-4298

STANDARD FCRH-14-8
 AIR INTAKE FILTER SILENCER

DATE	7-8-04
SHEET	OF
SCALE	0.050"=1"

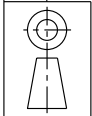
NO.	
REVISION	
DRAWN	
APP'D.	



NOTES:

1. WT. DOES NOT INCLUDE WT. OF FILTER ELEMENTS.
2. BLACK HDPE PLASTIC WEATHER LOUVERS ARE NOT PAINTED (NON-PAINTABLE MATERIAL).

This document contains CONFIDENTIAL and PROPRIETARY information of Universal Silencer, a Division of Nelson Industries, Inc. Any disclosure or unauthorized use without the express written consent of Universal Silencer is PROHIBITED.



DIMENSIONAL DRAWING NO.
 39-514-AAL

FILTER ELEMENTS INCLUDED (APPLIED ONLY TO ORDER FOR WHICH DRAWING IS CERTIFIED)				MOUNTING LEGS YES <input type="checkbox"/> NO <input type="checkbox"/>		DIMENSIONS CERTIFIED FOR:	
FILTER TYPE AND PART NUMBER	SINGLE STAGE	DUAL STAGE PRE-FILTER FINAL FILTER		X DIM= _____	Y DIM= _____	P.O. NO:	U.S. S.O. NO:
				X+Y DIM= _____		BY	DATE

APPROX WT 665 LBS	MATERIAL STEEL	DRAWN MCM	DIMENSIONAL DRAWING NO.	REV.
FINISH 88-0116 BLUE ENAMEL	CHECK JSM 7-9-04	39-514-AAL	0	0