



UNIVERSAL SILENCER

A FLEETGUARD/NELSON COMPANY
 P.O. Box 411, Stoughton, Wisconsin 53589
 608-873-4272 Fax 608-873-4298

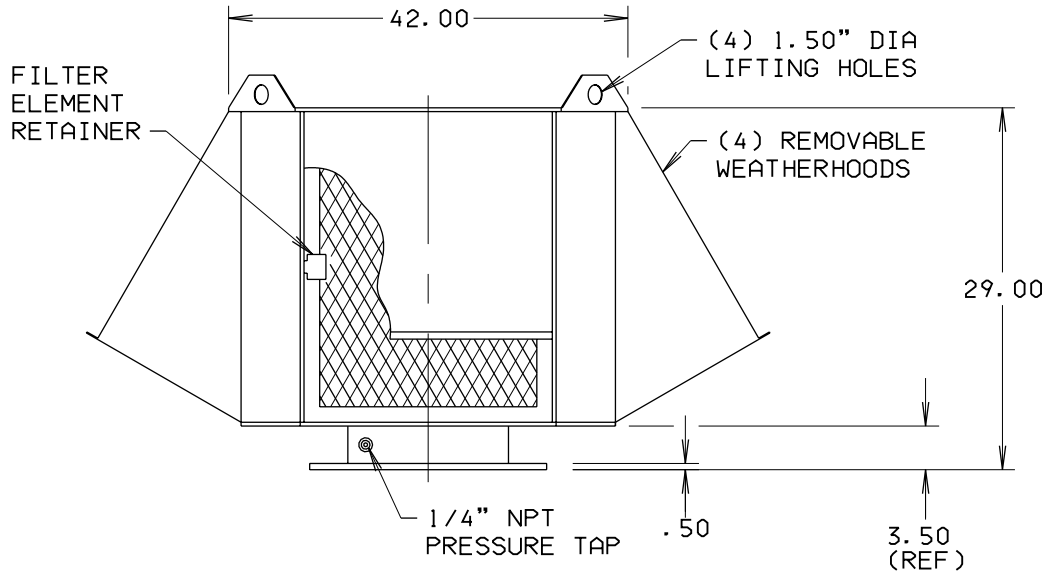
STANDARD FCRH-10-50 AIR INTAKE FILTER SILENCER

DATE 5-26-99

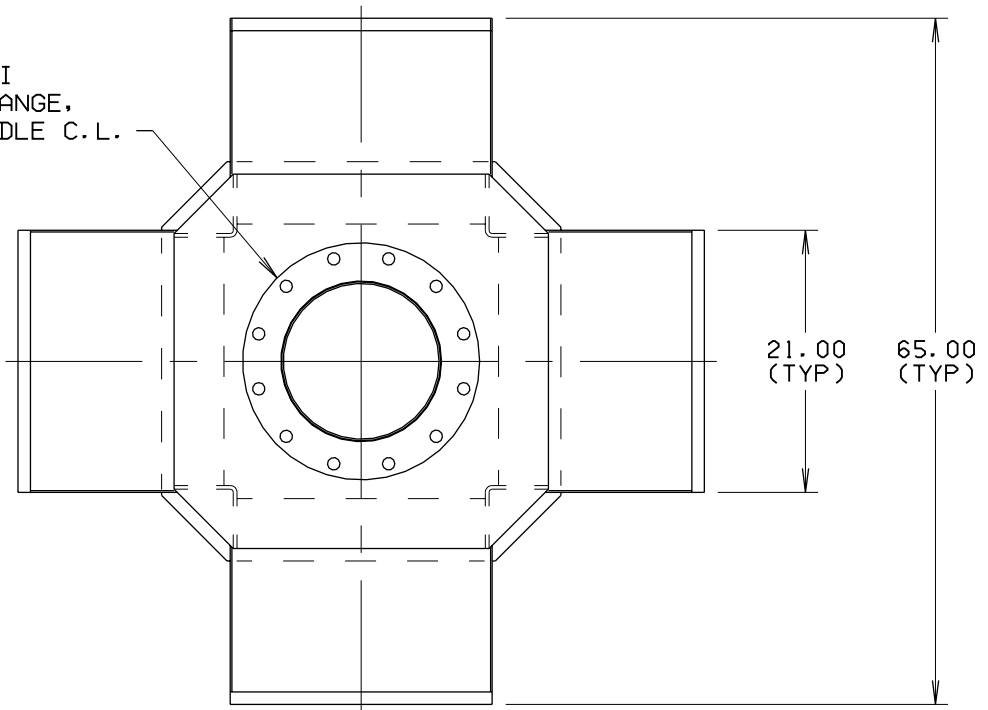
SHEET OF

SCALE NTS

| | |
|----------|---------------------------|
| NO. | 5 |
| REVISION | REDRAWN, WT. WAS 445 LBS. |
| DRAWN | 5-26-99 |
| APP'D | TAH |



10"-125/150# ANSI
 DRILLED PLATE FLANGE,
 BOLT HOLES STRADDLE C.L.



This document contains CONFIDENTIAL and PROPRIETARY information of Universal Silencer, a Division of Nelson Industries, Inc. Any disclosure or unauthorized use without the express written consent of Universal Silencer is PROHIBITED.

NOTES:

WT. SHOWN DOES NOT INCLUDE WT. OF FILTER ELEMENTS.

DIMENSIONAL DRAWING NO.
39-510-AA

| | | | | |
|---|--------------|------------|---------------------------|---------------|
| FILTER ELEMENTS INCLUDED (APPLIED ONLY TO ORDER FOR WHICH DRAWING IS CERTIFIED) | | | DIMENSIONS CERTIFIED FOR: | |
| FILTER TYPE AND PART NUMBER | SINGLE STAGE | DUAL STAGE | | P.O. NO: |
| | | PRE-FILTER | FINAL FILTER | |
| | | | | U.S. S.O. NO: |
| | | | | BY |
| | | | | DATE |

| | | | | | |
|--------|----------------------------|----------------|------------------|-----------------------------------|--------|
| REV. 5 | APPROX WT 5330 | MATERIAL STEEL | DRAWN TAH | DIMENSIONAL DRAWING NO. 39-510-AA | REV. 5 |
| | FINISH 88-0116 BLUE ENAMEL | | CHECK DO 5-28-99 | | |