



UNIVERSAL SILENCER
 A FLEETGUARD COMPANY
 P.O. Box 411, Stoughton, Wisconsin 53589
 608-873-4272 Fax 608-873-4298

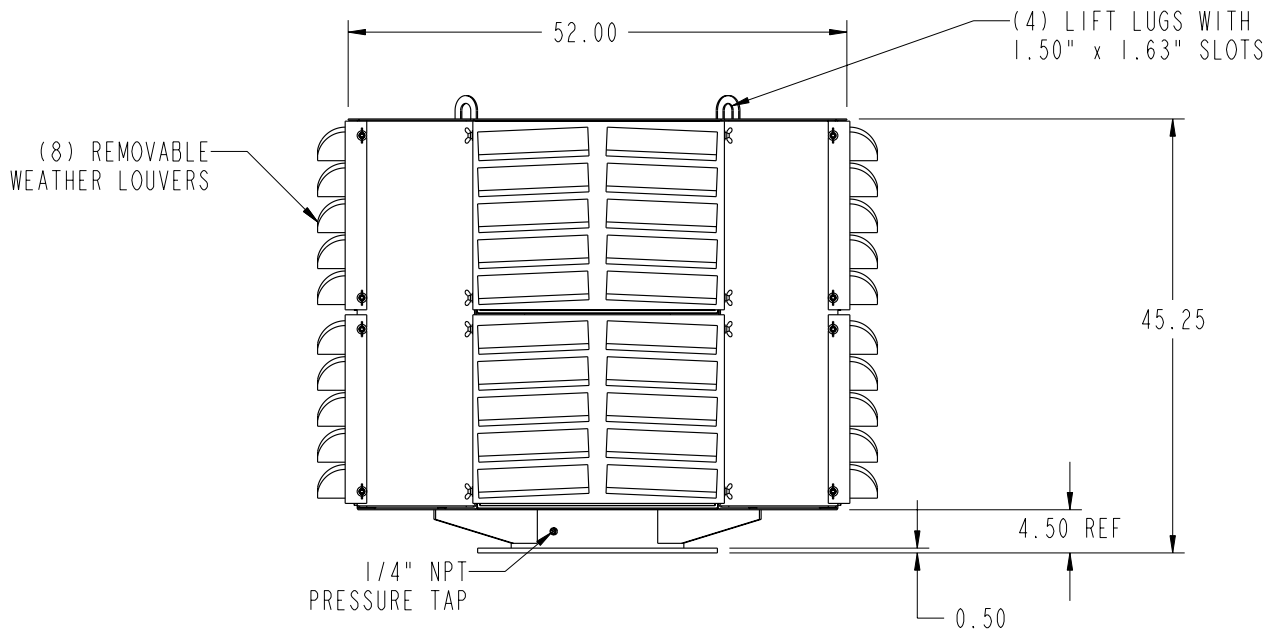
STANDARD FCRH-18-8
 AIR INTAKE FILTER SILENCER

DATE 5-18-04

SHEET OF

SCALE 0.050"=1"

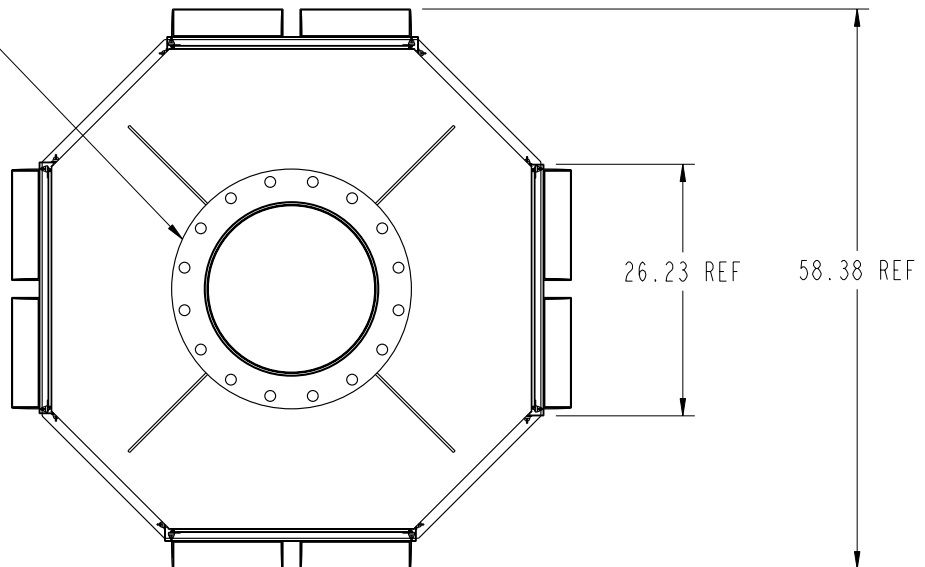
NO.	
REVISION	
DRAWN	
APP'D	



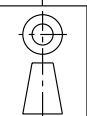
18"-125/150# ANSI DRILLED PLATE FLANGE, BOLT HOLES STRADDLE C.L.

NOTES:

1. WT. DOES NOT INCLUDE WT. OF FILTER ELEMENTS.
2. BLACK HDPE PLASTIC WEATHER LOUVERS ARE NOT PAINTED (NON-PAINTABLE MATERIAL).



This document contains CONFIDENTIAL and PROPRIETARY information of Universal Silencer, a Division of Ingersoll Rand Industrial Inc. Any disclosure or unauthorized use without the express written consent of Universal Silencer is PROHIBITED.



DIMENSIONAL DRAWING NO. 39-418-AAL

FILTER ELEMENTS INCLUDED (APPLIED ONLY TO ORDER FOR WHICH DRAWING IS CERTIFIED)				MOUNTING LEGS		DIMENSIONS CERTIFIED FOR:	
FILTER TYPE AND PART NUMBER	SINGLE STAGE	DUAL STAGE		YES <input type="checkbox"/>	P.O. NO:		U.S. S.O. NO:
		PRE-FILTER	FINAL FILTER	NO <input type="checkbox"/>			
				X DIM= _____	BY		DATE
				Y DIM= _____			
				X+Y DIM= _____			

REV. 0	APPROX WT 705 LBS	MATERIAL STEEL	DRAWN MCM	DIMENSIONAL DRAWING NO. 39-418-AAL	REV. 0
	FINISH 88-0116 BLUE ENAMEL		CHECK JSM 5-19-04		