



UNIVERSAL SILENCER

A DIVISION OF NELSON INDUSTRIES, INC.
STOUGHTON, WISCONSIN

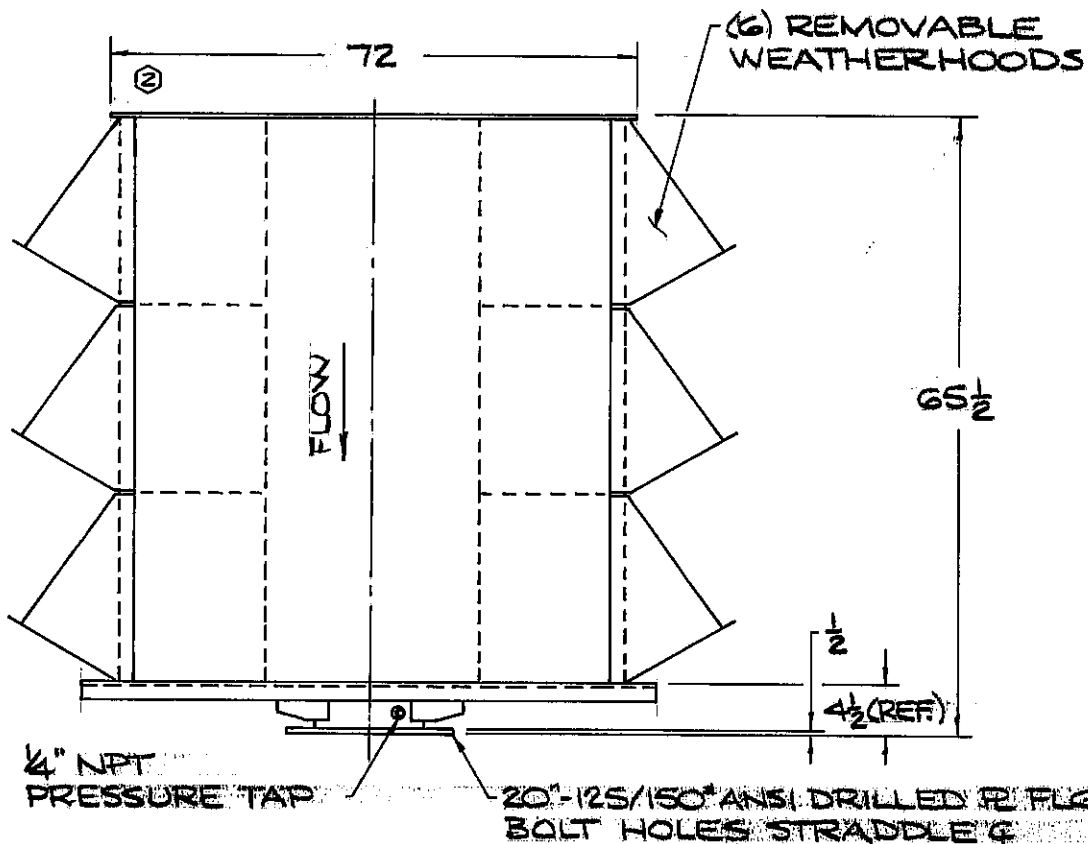
STANDARD FASH-20-12 ABSOLUTE FILTER SILENCER

DATE 11-15-88

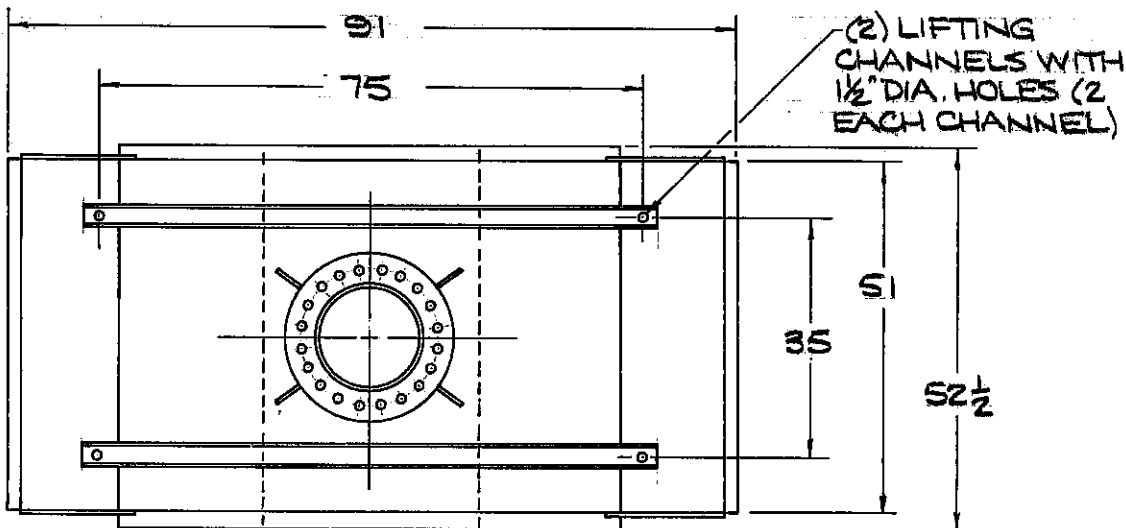
SHEET - OF -

SCALE NTS

NO.	REVISION	DATE	BY
①	REMOVED LIFT LUGS (4) LIFT LUGS ADDED	4-1-93	DJF
②		2-27-88	DJF



NOTES:
1. WEIGHT INCLUDES
FILTER ELEMENTS.



DRAWING NO.
A-40-520-AA

REV.
2

FILTER ELEMENTS INCLUDED (APPLIES ONLY TO ORDER FOR WHICH DRAWING IS CERTIFIED)

DIMENSIONS CERTIFIED FOR:

FILTER TYPE AND PART NUMBER	SINGLE STAGE	DUAL STAGE	
		PRE-FILTER	FINAL FILTER
PB 81-0398		12	
R12F 81-0429			12

P.O. NO.
U.S. S.O. NO.
BY
DATE

APPROX. WT. 2410	MATERIAL STEEL	DRAWN DJF
FINISH 88-0116 BLUE ENAMEL		CHECK

DRAWING NO. A-40-520-AA	REV. 2
----------------------------	-----------