



UNIVERSAL SILENCER

P.O. Box 411, Stoughton, Wisconsin 53589
608-873-4272 Fax 608-873-4298

12" 90 DEGREE MITERED ELBOW

DATE 06-09-09

SHEET 1 OF 1

SCALE NTS

NO.

REVISION

DRAWN

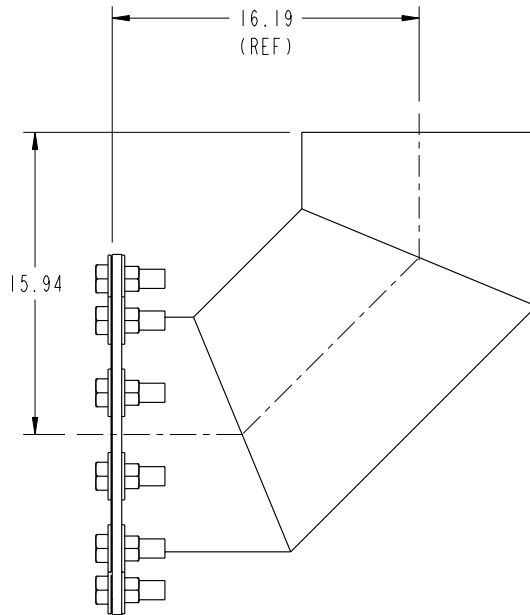
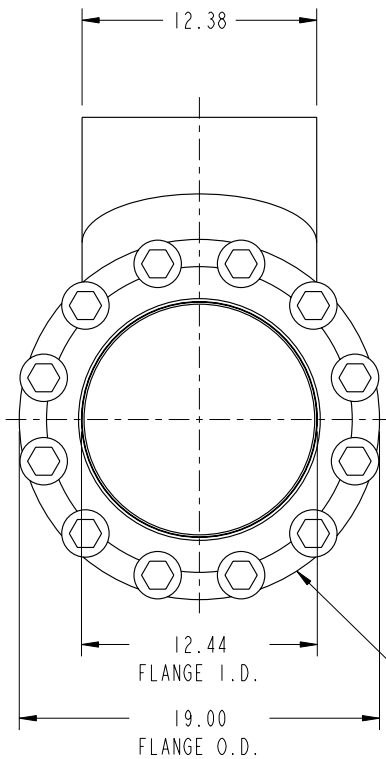
APP'D

This document contains CONFIDENTIAL and PROPRIETARY information of Universal Silencer. Any disclosure or unauthorized use without the express written consent of Universal Silencer is PROHIBITED.



DIMENSIONAL DRAWING NO.

40684K



SPECIAL PLATE FLANGE WITH
(12) \varnothing 1.00 HOLES ON
 \varnothing 17.00 B.C.,
BOLT HOLES STRADDLE C.L.

PRO/E

NOTES:

1. MATERIALS: ELBOW- ALUMINIZED CARBON STEEL.
FLANGE- CARBON STEEL

DIMENSIONS
CERTIFIED FOR:

P.O. NO:

U.S. S.O. NO:

BY

0

REV.

APPROX WT 50 LBS

MATERIAL SEE NOTE 1

DRAWN ALV

DIMENSIONAL DRAWING NO.

REV.

FINISH 88-0103 HI-HEAT ALUMINUM

CHECK JED 06-10-09

40684K

0