



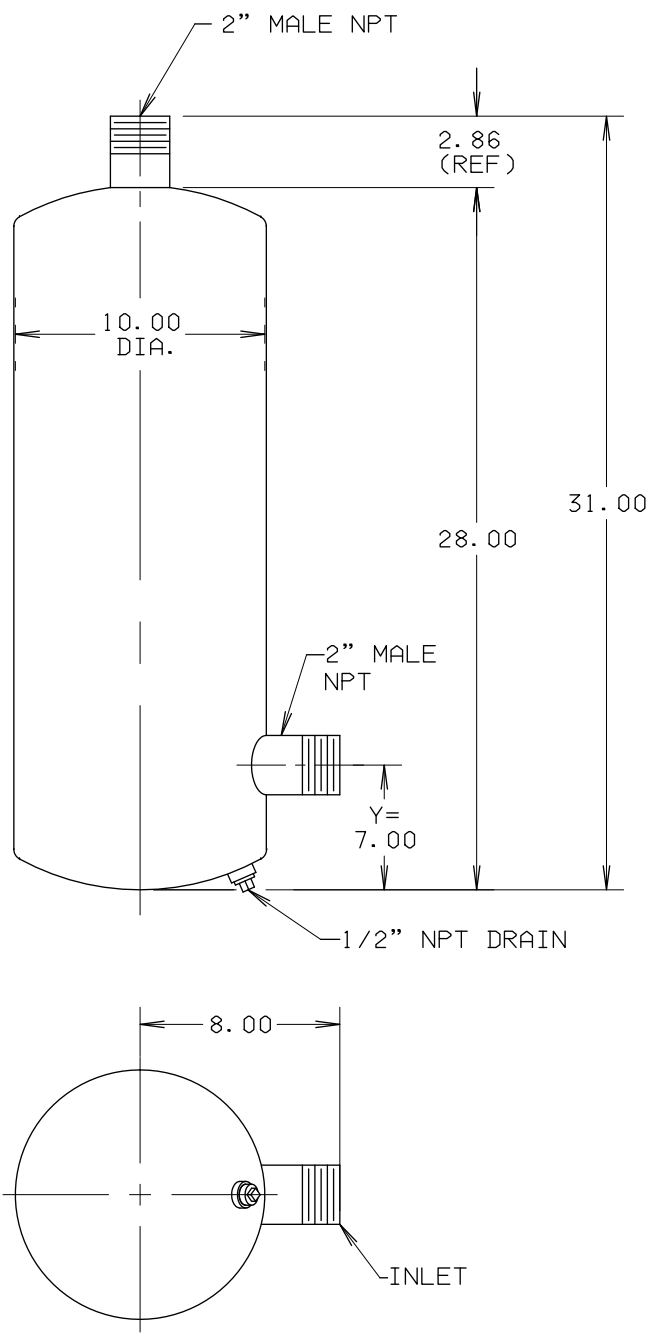
UNIVERSAL SILENCER
 A FLEETGUARD/NELSON COMPANY
 P.O. Box 411, Stoughton, Wisconsin 53589
 608-873-4272 Fax 608-873-4298

STANDARD
 EN5Y-2 EXHAUST SILENCER
 (NEW DESIGN)

DATE 8-22-97
 SHEET OF
 SCALE NTS

NO. 1
 REMOVED (REF) FROM VARIOUS DIMS.
 REVISION
 DRAWN 2-25-98
 APP'D BGL

This document contains CONFIDENTIAL and PROPRIETARY information of Universal Silencer, a Division of Nelson Industries, Inc. Any disclosure or unauthorized use without the express written consent of Universal Silencer is PROHIBITED.



DIMENSIONAL DRAWING NO.
 22-202-NDA

DIMENSIONS CERTIFIED FOR:	
P. O. NO:	
U. S. S. O. NO:	
BY	

REV. 1	APPROX WT 30	MATERIAL STEEL	DRAWN CEP	DIMENSIONAL DRAWING NO.	REV.
	FINISH 88-0103 HI-HEAT ALUMINUM		CHECK	22-202-NDA	1