



UNIVERSAL SILENCER

A FLEETGUARD/NELSON COMPANY
P.O. Box 411, Stoughton, Wisconsin 53589
608-873-4272 Fax 608-873-4298

STANDARD EN5-3 1/2 EXHAUST SILENCER

DATE 6-12-00

SHEET OF

SCALE NTS

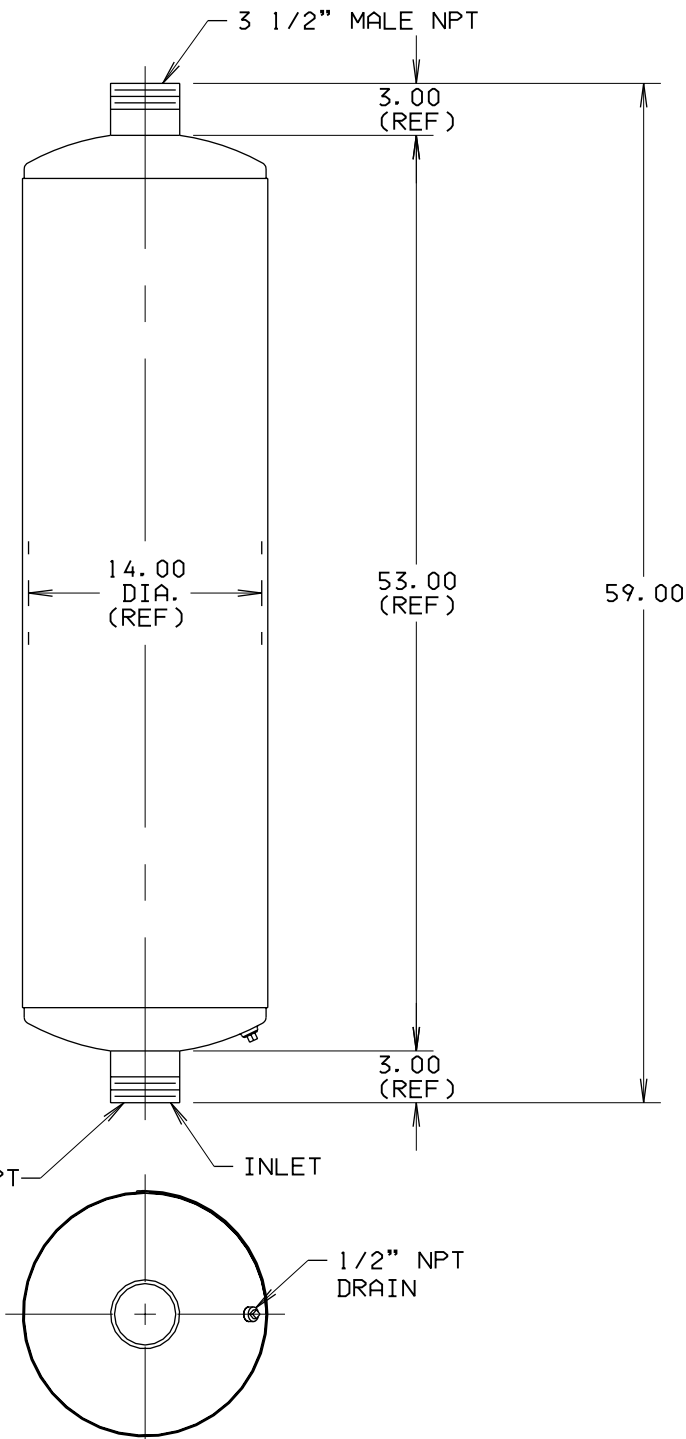
NO.	3
REVISION	REDRAWN TO CAD FORMAT.
TAH	6-12-00
CB	6-13-00
APP'D	

This document contains CONFIDENTIAL and PROPRIETARY information of Universal Silencer, a Division of Nelson Industries, Inc. Any disclosure or unauthorized use without the express written consent of Universal Silencer is PROHIBITED.

DIMENSIONAL DRAWING NO.

22-135-AA

3



DIMENSIONS CERTIFIED FOR:	
P. O. NO:	
U. S. S. O. NO:	
BY	
APPROX WT 85 LBS	MATERIAL STEEL
FINISH 88-0103 HI-HEAT ALUMINUM	
DRAWN TAH	DIMENSIONAL DRAWING NO.
CHECK CB 6-13-00	22-135-AA
REV.	3