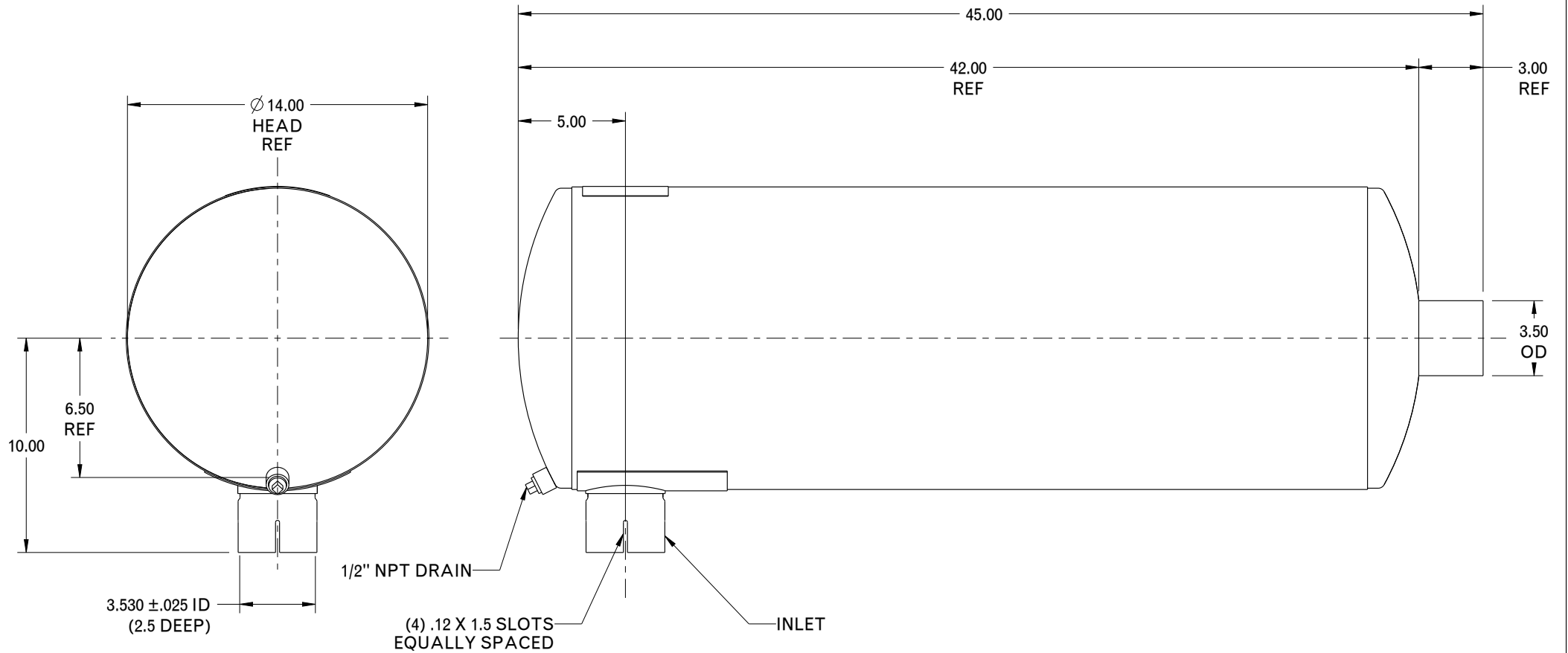

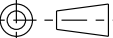


REVISION RECORD

NO.	CHANGE DESCRIPTION	DRAWN	APP'D
-----	--------------------	-------	-------



DIMENSIONS CERTIFIED FOR:		TOLERANCES UNLESS STATED - SEE FULL SPEC. 88-0075				Copyright © 2010 UNIVERSAL All Rights Reserved		 UNIVERSAL Acoustic & Emissions Technologies		DESIGN CONTROL: STOUGHTON	
		(mm)	US customary (")	(mm)	US customary (")	This Document and the information contained herein constitutes proprietary property, and shall not be copied or used or disclosed without the express written consent of Universal Acoustic & Emission Technologies Inc.		SCALE: DO NOT SCALE			
P.O. NO:		0-300	0-12	±1.6	±1/16			DESCRIPTION STANDARD QS5Y-3.5 ULTRA-QUIET GRADE EXHAUST SILENCER			
U.S. S.O. NO:		>300-600	>12-24	±3	±1/8						
BY		>600-900	>24-36	±5	±3/16						
DATE		>900-6000	>36-240	±6	±1/4						
		>6000	>240	±12	±1/2	THIRD ANGLE PROJECTION 		DIMENSIONAL DWG. NO:	SHEET	REV.	
		ANGULAR TOL		±2°		NAME: GDG DATE: 27MAY2011 DRAWN: GDG CHECKED: JDM 31MAY2011		63535C	1 OF 1	0	
		APPROX. WT.	95 LBS	MATERIAL	STEEL			PROJECT			
		FINISH	88-0103 HIGH HEAT ALUMINUM								