



UNIVERSAL SILENCER

A FLEETGUARD/NELSON COMPANY
 P.O. Box 411, Stoughton, Wisconsin 53589
 608-873-4272 Fax 608-873-4298

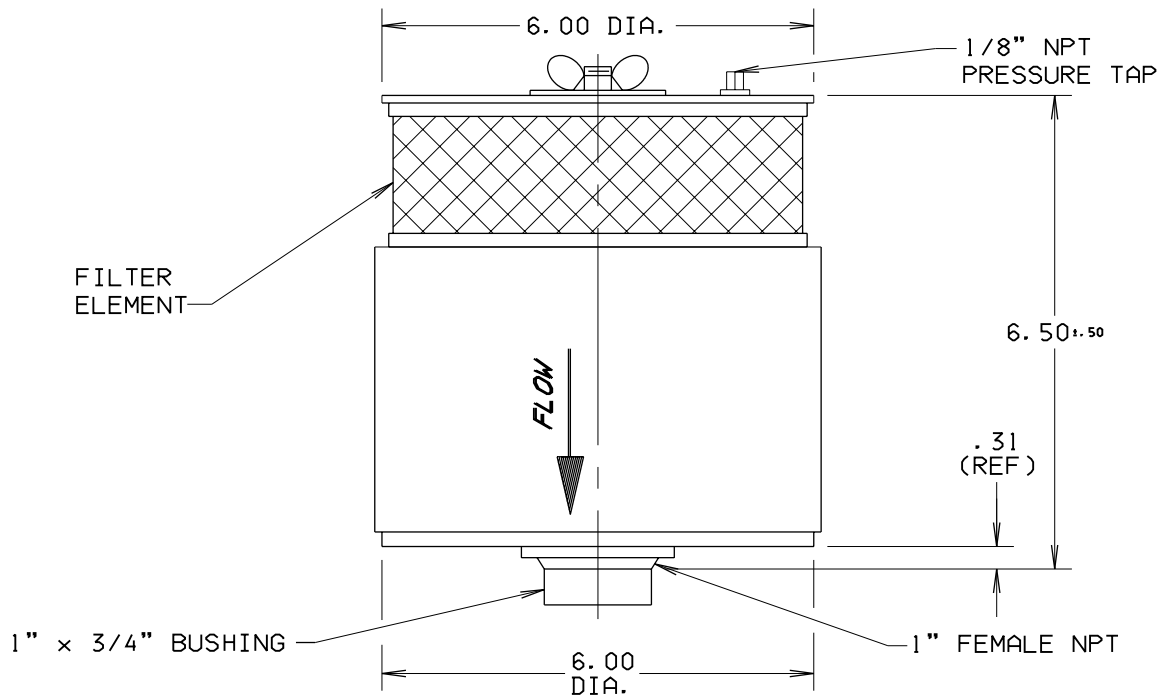
STANDARD CS- 3/4
 FILTER SILENCER

DATE 9-23-98

SHEET OF

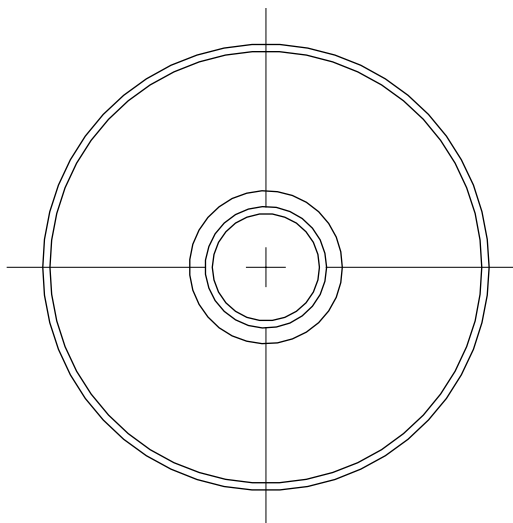
SCALE NTS

NO.
 REVISION
 DRAWN
 APP'D



NOTES:

- 1. RECOMMENDED FLOW RATE
22 CFM MAX.
- 2 APPROX. WEIGHT INCLUDES WT.
OF FILTER ELEMENT.



DIMENSIONAL DRAWING NO.
34-M70-TTP
 0

FILTER ELEMENTS INCLUDED (APPLIED ONLY TO ORDER FOR WHICH DRAWING IS CERTIFIED)			DIMENSIONS CERTIFIED FOR:	
FILTER TYPE AND PART NUMBER	SINGLE STAGE	DUAL STAGE		P. O. NO:
		PRE-FILTER	FINAL FILTER	
CC-1P (PAPER) 81-0470	1			U. S. S. O. NO:
				BY
				DATE

APPROX WT 7 2	MATERIAL STEEL	DRAWN TAH	DIMENSIONAL DRAWING NO.	REV.
FINISH 88-1085 BLUE ENAMEL		CHECK MB 9-30-98	34-M70-TTP	0