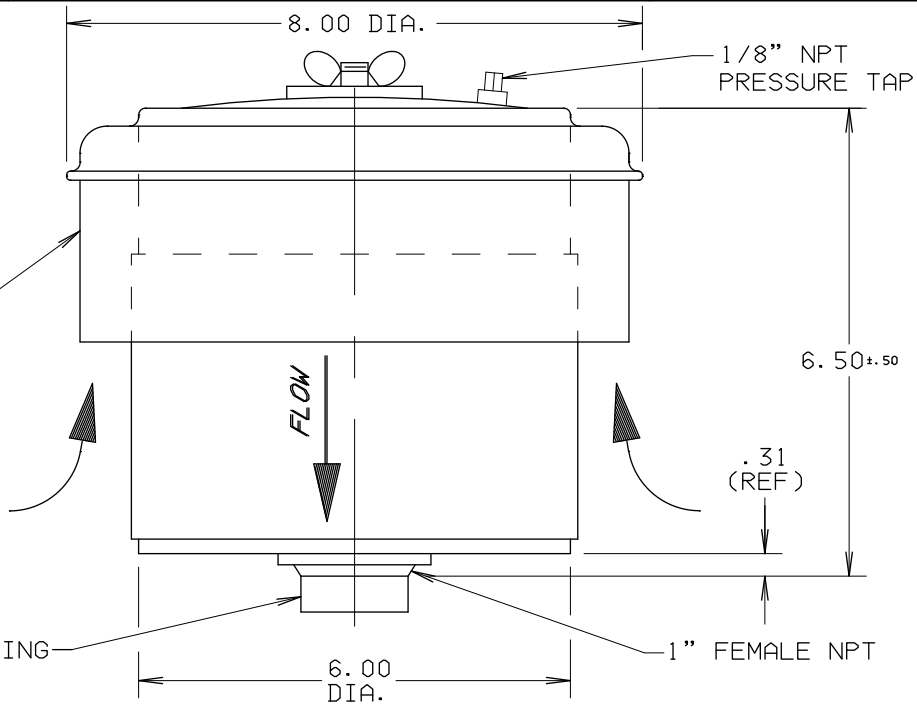
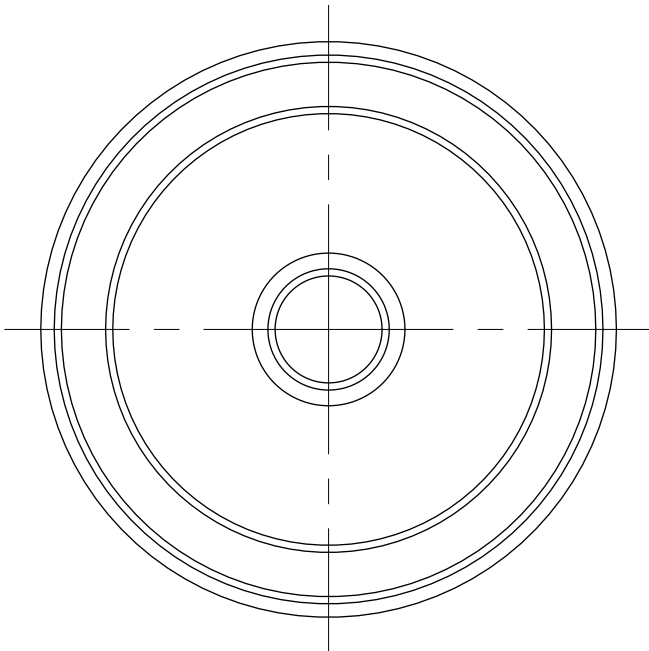


NO.	1
WT.	WAS 6.
REVISION	
DATE	12-9-98
APP'D	TAH

REMOVABLE WEATHERHOOD FOR FILTER ELEMENT ACCESS



- NOTES:
- RECOMMENDED FLOW RATE 22 CFM MAX.
 - APPROX. WEIGHT INCLUDES WT. OF FILTER ELEMENT.



DIMENSIONAL DRAWING NO. 34-K70-TTP

FILTER ELEMENTS INCLUDED (APPLIED ONLY TO ORDER FOR WHICH DRAWING IS CERTIFIED)				DIMENSIONS CERTIFIED FOR:	
FILTER TYPE AND PART NUMBER	SINGLE STAGE	DUAL STAGE		P.O. NO:	U.S. S.O. NO:
		PRE-FILTER	FINAL FILTER		
CC-1P (PAPER) 81-0470	1			BY	DATE

REV. 1	APPROX WT 7	MATERIAL STEEL	DRAWN TAH	DIMENSIONAL DRAWING NO. 34-K70-TTP	REV. 1
	FINISH 88-1085 BLUE ENAMEL		CHECKMB 12-10-98		

This document contains confidential and proprietary information of Universal Silencer, a Division of Nelson Industries, Inc. Any disclosure or unauthorized use without the express written consent of Universal Silencer is PROHIBITED.