



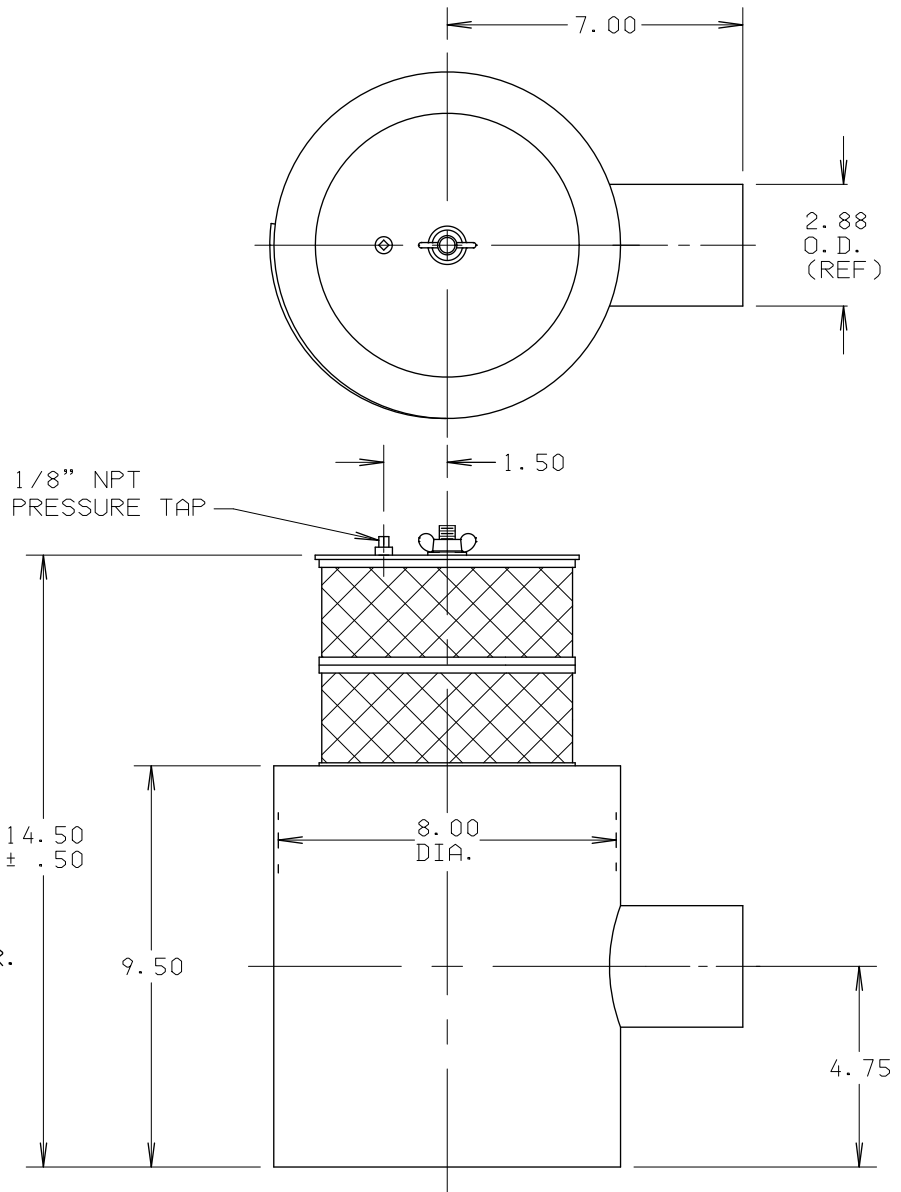
UNIVERSAL SILENCER

A FLEETGUARD/NELSON COMPANY
 P.O. Box 411, Stoughton, Wisconsin 53589
 608-873-4272 Fax 608-873-4298

STANDARD CBF1-2 1/2 FILTER SILENCER

DATE 7-2-98
 SHEET OF
 SCALE NTS

NO.
 REVISION
 DRAWN
 APP'D
 This document contains CONFIDENTIAL and PROPRIETARY information of Universal Silencer, a Division of Nelson Industries, Inc. Any disclosure or unauthorized use without the express written consent of Universal Silencer is PROHIBITED.



- NOTES:
- CLEAN OR REPLACE FILTER WHEN ΔP INCREASES 4" H₂O OVER CLEAN FILTER.
 - RECOMMENDED FLOW RATE: 175 CFM MAX.
 - WEIGHT SHOWN INCLUDES WT. OF THE FILTER ELEMENT.

34-G25-AAP
 DIMENSIONAL DRAWING NO.

FILTER ELEMENTS INCLUDED (APPLIED ONLY TO ORDER FOR WHICH DRAWING IS CERTIFIED)				DIMENSIONS CERTIFIED FOR:	
FILTER TYPE AND PART NUMBER	SINGLE STAGE	DUAL STAGE		P.O. NO:	U.S. S.O. NO:
		PRE-FILTER	FINAL FILTER		
CC-2P (PAPER) 81-0471	2			BY	DATE

REV.	APPROX WT 25 $\triangle 3$	MATERIAL STEEL	DRAWN BGL	DIMENSIONAL DRAWING NO.	REV.
	FINISH 88-1085 BLUE ENAMEL		CHECK CB 7-10-98	34-G25-AAP	0