



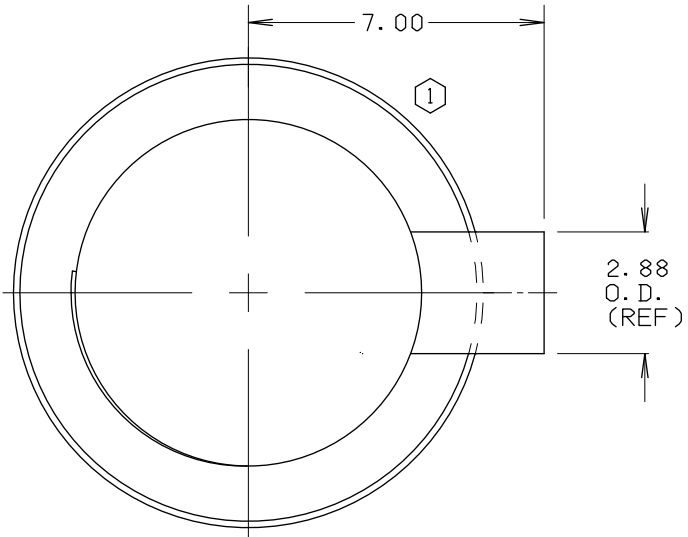
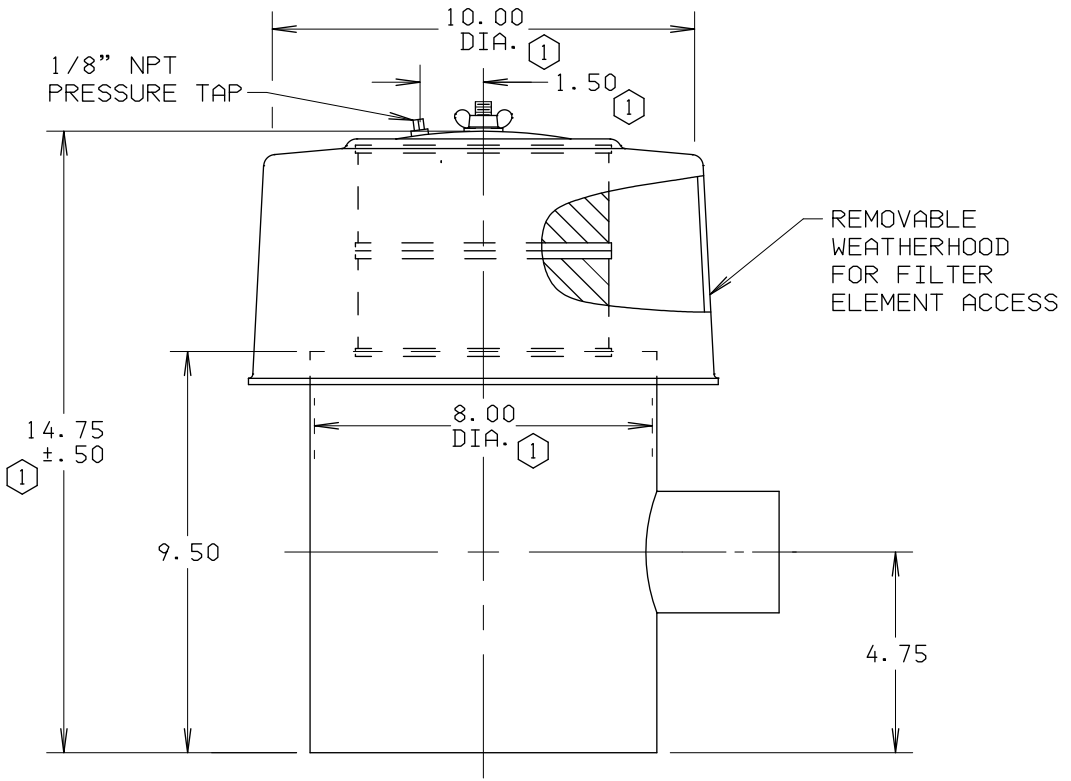
# UNIVERSAL SILENCER

A FLEETGUARD/NELSON COMPANY  
 P.O. Box 411, Stoughton, Wisconsin 53589  
 608-873-4272 Fax 608-873-4298

## STANDARD CBF-2 1 1/2 FILTER SILENCER

DATE 3-4-98  
 SHEET OF  
 SCALE NTS

NO.	①	②
REVISION	14.72 WAS 15.75, 8 DIA WAS 10, 7.00 WAS 8.00, 10.00 DIA WAS 12.75, FILTER WAS (1) CC-4P 81-1063, MT WAS 35	PVN WAS 34-725-AP
DRAWN	4-15-98 BGL	7-2-98 BGL
APP'D		



### NOTES:

CLEAN OR REPLACE FILTER WHEN ΔP INCREASES 4" H<sub>2</sub>O OVER CLEAN FILTER.

RECOMMENDED FLOW RATE: 175 CFM MAX.

WEIGHT SHOWN INCLUDES WT. OF THE FILTER ELEMENT.

This document contains CONFIDENTIAL and PROPRIETARY information of Universal Silencer, a Division of Nelson Industries, Inc. Any disclosure or unauthorized use without the express written consent of Universal Silencer is PROHIBITED.

34-725-AP  
 DIMENSIONAL DRAWING NO. ②

FILTER ELEMENTS INCLUDED (APPLIED ONLY TO ORDER FOR WHICH DRAWING IS CERTIFIED)				DIMENSIONS CERTIFIED FOR:	
FILTER TYPE AND PART NUMBER	SINGLE STAGE	DUAL STAGE		P.O. NO:	U.S. S.O. NO:
		PRE-FILTER	FINAL FILTER		
CC-2P (PAPER) 81-0471 ①	2			BY	DATE

REV. 2	APPROX WT 25 ③ ①	MATERIAL STEEL	DRAWN CEP	DIMENSIONAL DRAWING NO. ②	REV. 2
	FINISH 88-1085 BLUE ENAMEL		CHECK CB 7-10-98	34-725-AP ②	