



# UNIVERSAL SILENCER

P.O. Box 411, Stoughton, Wisconsin 53589  
608-873-4272 Fax 608-873-4298

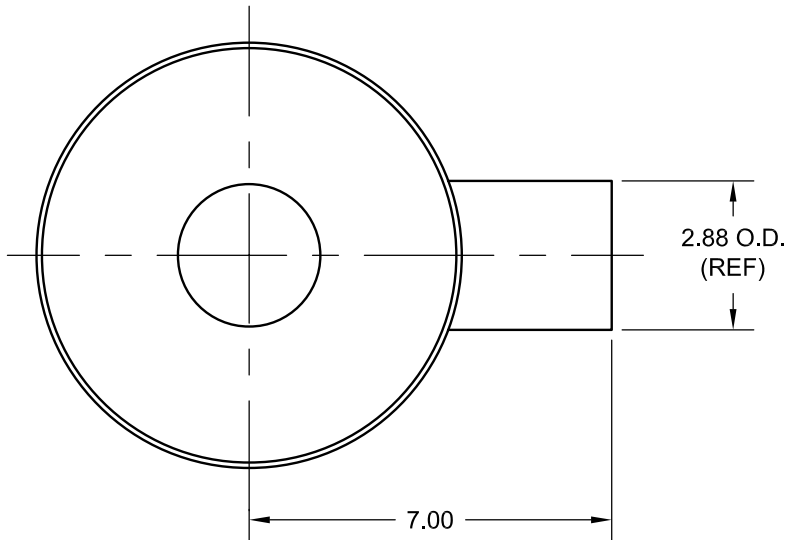
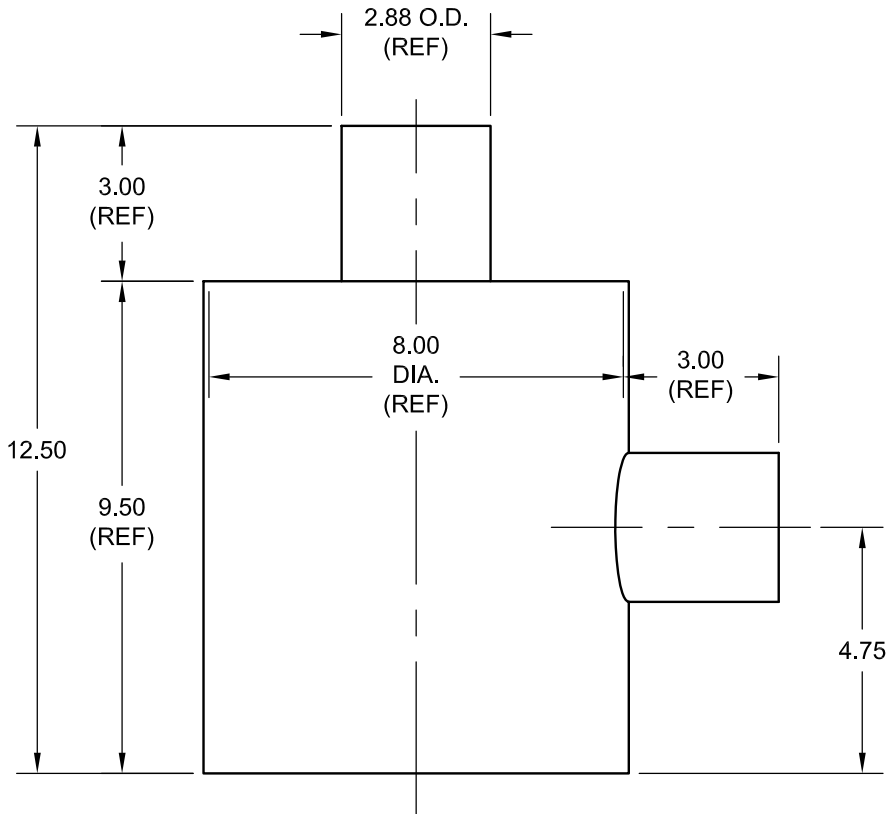
## STANDARD CB-2 1/2 SILENCER

DATE 08-01-07

SHEET 1 OF 1

SCALE NTS

NO.	5
REVISION	REDRAWN IN AUTOCAD
DRAWN	BGC 08-01-07
APP'D	CB 08-01-07



This document contains CONFIDENTIAL and PROPRIETARY information of Universal Silencer. Any disclosure or unauthorized use without the express written consent of Universal Silencer is PROHIBITED.



DIMENSIONAL DRAWING NO.

56-725-AA

DIMENSIONS  
CERTIFIED FOR:

P.O. NO:

U.S. S.O. NO:

BY

REV. 5	APPROX WT	20 LBS	MATERIAL	STEEL	DRAWN	BGC	DIMENSIONAL DRAWING NO. <b>56-725-AA</b>	REV.	5
	FINISH	88-0102	SHOP COAT PRIMER	CHECK	CB 08-01-07				