



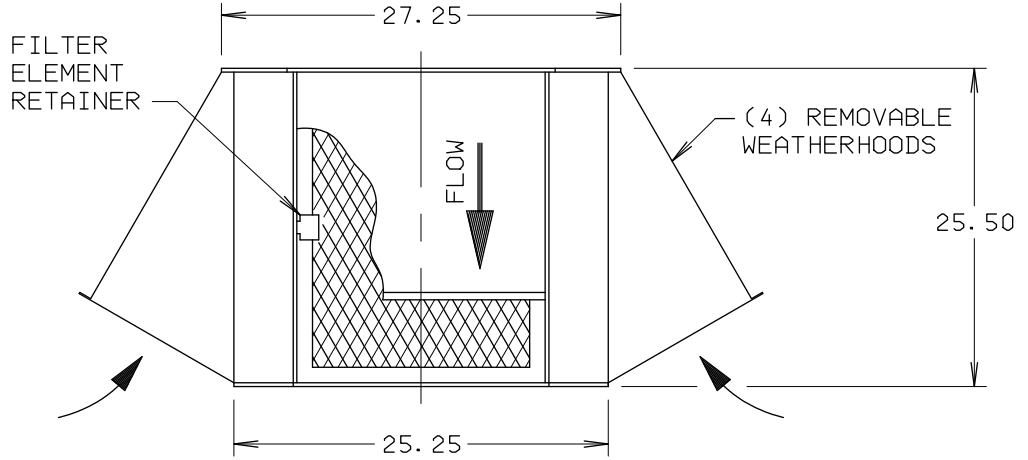
UNIVERSAL SILENCER

A FLEETGUARD/NELSON COMPANY
 P.O. Box 411, Stoughton, Wisconsin 53589
 608-873-4272 Fax 608-873-4298

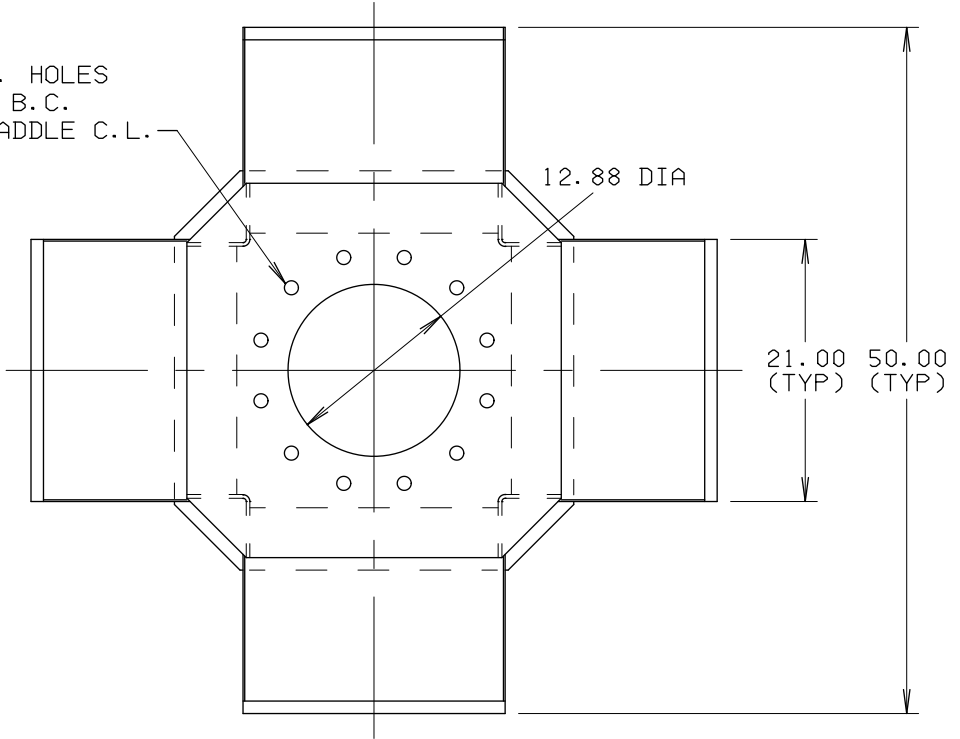
STANDARD BFH 12-40 AIR INTAKE FILTER

DATE 1-7-97
 SHEET OF
 SCALE NTS

NO. 6
 REDRAWN
 REVISION
 1-7-97
 MCM



(12) 1.00" DIA. HOLES
 ON 17.00" DIA. B.C.
 BOLT HOLES STRADDLE C.L.



ES:
 WEIGHT DOES NOT
 INCLUDE FILTER
 ELEMENTS.

DIMENSIONAL DRAWING NO. 35-412-AA

FILTER ELEMENTS INCLUDED (APPLIED ONLY TO ORDER FOR WHICH DRAWING IS CERTIFIED)				DIMENSIONS CERTIFIED FOR:	
FILTER TYPE AND PART NUMBER	SINGLE STAGE	DUAL STAGE		P.O. NO:	U.S. S.O. NO:
		PRE-FILTER	FINAL FILTER		
				BY	DATE

REV. 6	APPROX WT 115	MATERIAL STEEL	DRAWN MCM	DIMENSIONAL DRAWING NO. 35-412-AA	REV. 6
	FINISH 88-0116 BLUE ENAMEL		CHECK		

This document contains CONFIDENTIAL and PROPRIETARY information of Universal Silencer, a Division of Nelson Industries, Inc. Any disclosure or unauthorized use without the express written consent of Universal Silencer is PROHIBITED.