



UNIVERSAL SILENCER
 A FLEETGUARD COMPANY
 P.O. Box 411, Stoughton, Wisconsin 53589
 608-873-4272 Fax 608-873-4298

STANDARD BFH-10-4
 AIR INTAKE FILTER

DATE 10-26-04

SHEET OF

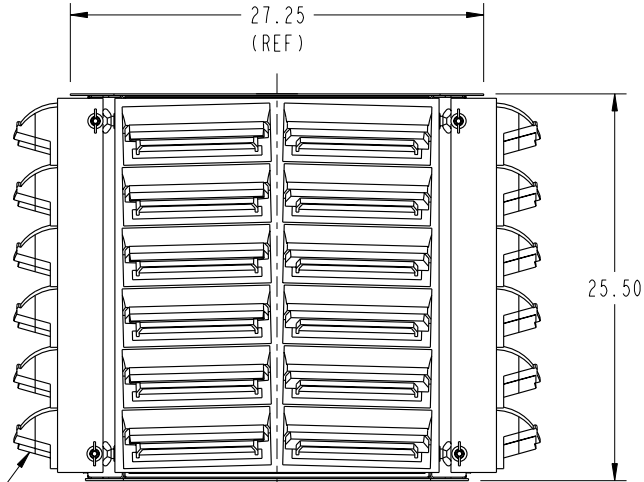
SCALE 0.080"=1"

NO.

REVISION

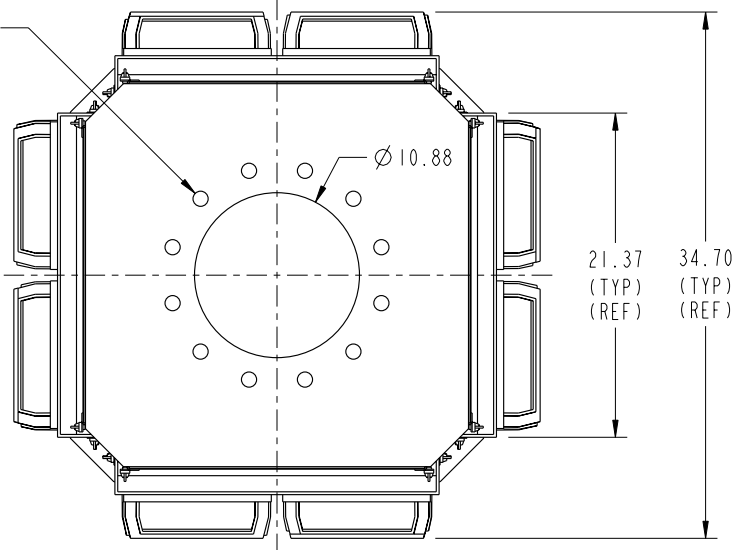
DRAWN

APP'D



(4) REMOVABLE WEATHER LOUVERS

(12) \varnothing 1.00 HOLES ON 14.25 DIA. B.C., STRADDLING C.L.



NOTES:

1. WEIGHT SHOWN DOES NOT INCLUDE WEIGHT OF FILTER ELEMENT.

2. WEATHER LOUVERS ARE BLACK HDPE AND ARE NOT PAINTED (NON-PAINTABLE MATERIAL).

This document contains CONFIDENTIAL and PROPRIETARY information of Universal Silencer, A Division of Nelson Ledges Frestlin, Inc. Any disclosure or reuse without the express written consent of Universal Silencer is PROHIBITED.



DIMENSIONAL DRAWING NO.

35-410-AAL

PRO/E

FILTER ELEMENTS INCLUDED (APPLIED ONLY TO ORDER FOR WHICH DRAWING IS CERTIFIED)

DIMENSIONS CERTIFIED FOR:

SINGLE STAGE	DUAL STAGE	
	PRE-FILTER	FINAL FILTER

P.O. NO:

U.S. S.O. NO.:

BY:

DATE:

REV. 0	APPROX WT 90 LBS.	MATERIAL STEEL	DRAWN DY	DIMENSIONAL DRAWING NO. 35-410-AAL	REV. 0
	FINISH 88-0116 BLUE ENAMEL	CHECK JM 10-28-04			