



UNIVERSAL SILENCER

A FLEETGUARD/NELSON COMPANY
P.O. Box 411, Stoughton, Wisconsin 53589
608-873-4272 Fax 608-873-4298

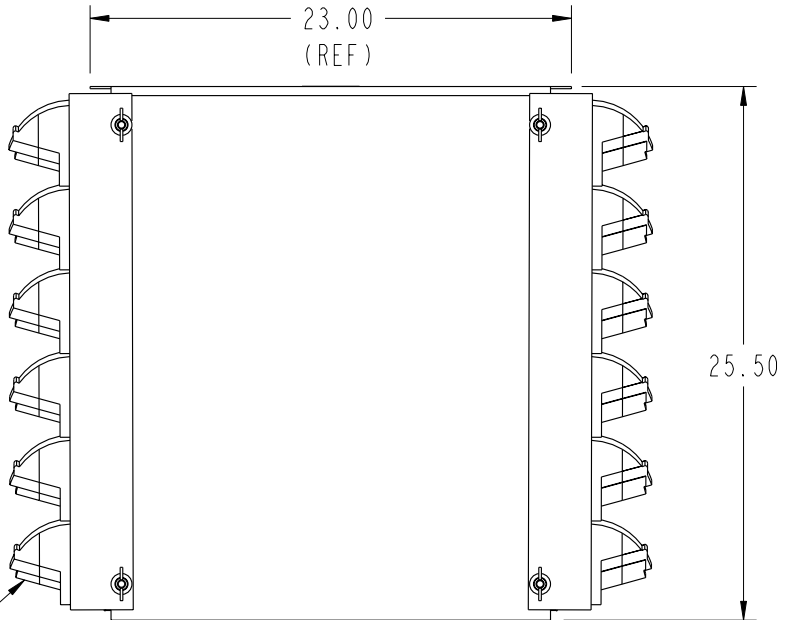
STANDARD BFH 10-2 AIR INTAKE FILTER

DATE 07-19-02

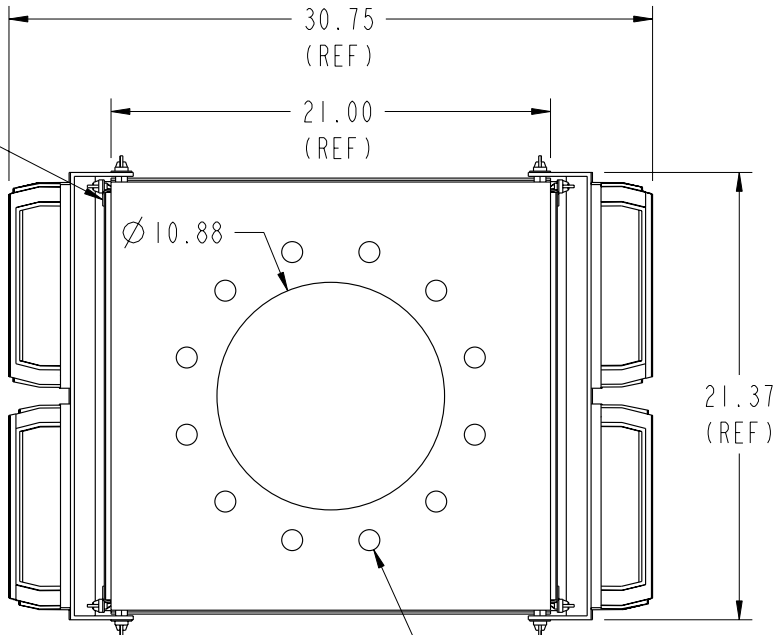
SHEET OF

SCALE 0.100"=1"

NO.	
REVISION	
DRAWN	
APP'D	



(2) REMOVABLE WEATHER LOUVERS



FILTER ELEMENT RETAINER

(12) \varnothing 1.00 HOLES ON 14.25 DIA. B.C., STRADDLING C.L.

PRO/E

NOTES:

1. WEIGHT SHOWN DOES NOT INCLUDE WEIGHT OF FILTER ELEMENT.
2. WEATHER LOUVERS ARE BLACK HDPE AND ARE NOT PAINTED (NON-PAINTABLE MATERIAL).

This document contains CONFIDENTIAL and PROPRIETARY information of Universal Silencer, a Division of Nelson Industries, Inc. Any disclosure or unauthorized use without the express written consent of Universal Silencer is PROHIBITED.

DIMENSIONAL DRAWING NO. 35-310-AAL

FILTER ELEMENTS INCLUDED (APPLIED ONLY TO ORDER FOR WHICH DRAWING IS CERTIFIED)

DIMENSIONS CERTIFIED FOR:

SINGLE STAGE	DUAL STAGE	
	PRE-FILTER	FINAL FILTER

P.O. NO:

U.S. S.O. NO.:

BY:

DATE:

REV. 0	APPROX WT 75 LBS.	MATERIAL STEEL	DRAWN DY	DIMENSIONAL DRAWING NO. 35-310-AAL	REV. 0
	FINISH 88-0116 BLUE ENAMEL	CHECK DY 07-19-02			