



UNIVERSAL SILENCER

A DIVISION OF NELSON INDUSTRIES, INC.

STOUGHTON, WISCONSIN

STANDARD BFH-4-50 AIR INTAKE FILTER

DATE 1-20-83

SHEET -- OF --

SCALE NTS

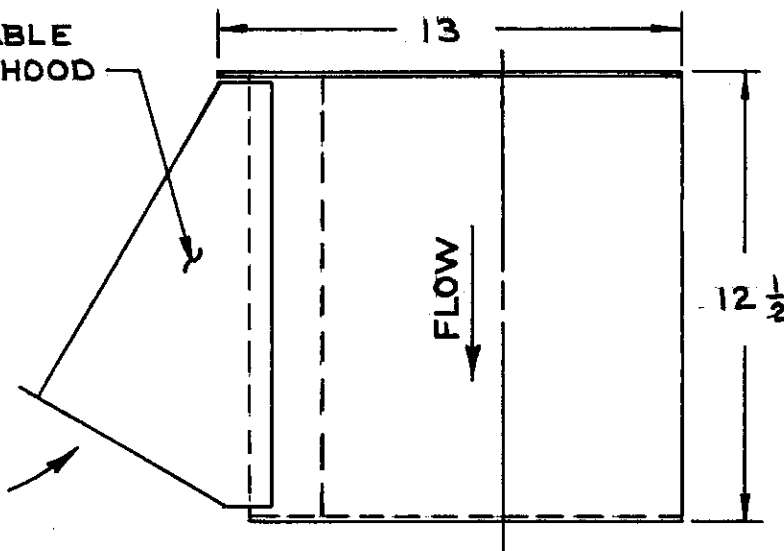
NO. ④

FINISH WAS 88-1085
REDRAWN, 4 5/8 WAS 4

REVISION
DATE 1/29/83

BY

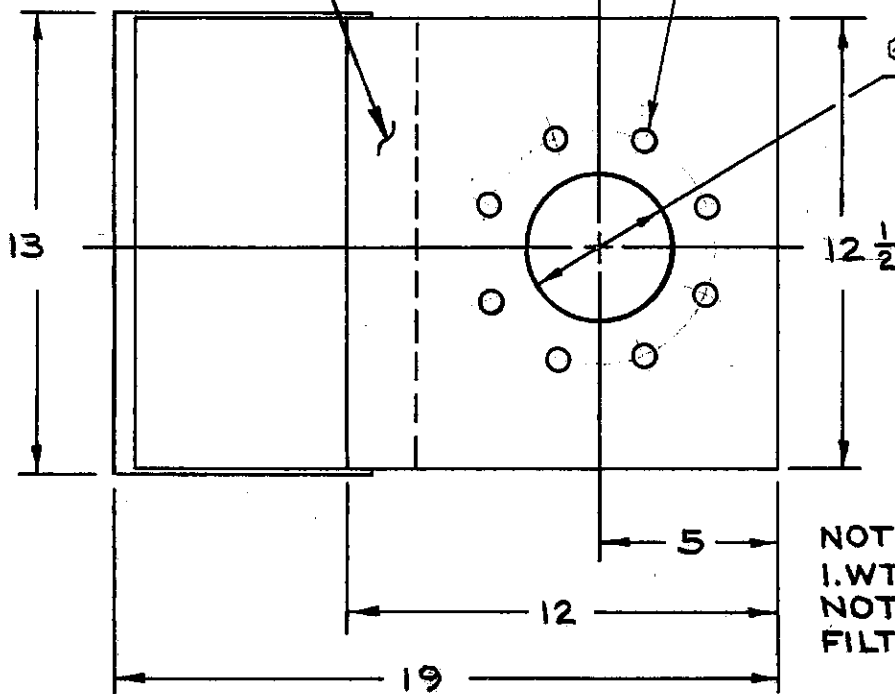
(1) REMOVABLE WEATHERHOOD



(1) 12 x 12 x 2 PANEL FILTER

(8) 3/4" DIA. HOLES ON 7 1/2" DIA. B.C. STRADDLING

④ 4 5/8" DIA. HOLE



NOTE:
I.WT. SHOWN DOES NOT INCLUDE FILTER ELEMENT

DRAWING NO. A-35-304-AA

FILTER ELEMENTS INCLUDED (APPLIES ONLY TO ORDER FOR WHICH DRAWING IS CERTIFIED)

DIMENSIONS CERTIFIED FOR:

FILTER TYPE AND PART NUMBER

SINGLE STAGE

DUAL STAGE

PRE-FILTER

FINAL FILTER

P.O. NO.

U.S. S.O. NO.

BY

DATE

APPROX. WT. 30

MATERIAL STEEL

DRAWN *JHW*

DRAWING NO.

REV.

FINISH 88-0116 ⑤ BLUE ENAMEL

CHECK *DWO*

A-35-304-AA

5