



**UNIVERSAL SILENCER**  
 Acoustic and Emission Technologies  
 PO Box 411 Stoughton, WI 53589  
 608-873-4272 Fax 608-873-4298  
 info@universalsilencer.com  
 www.universalsilencer.com

**MOUNTING ARRANGEMENTS  
 TYPE VI  
 BASE RING/SKIRT SUPPORTS**

DRAWING NO.

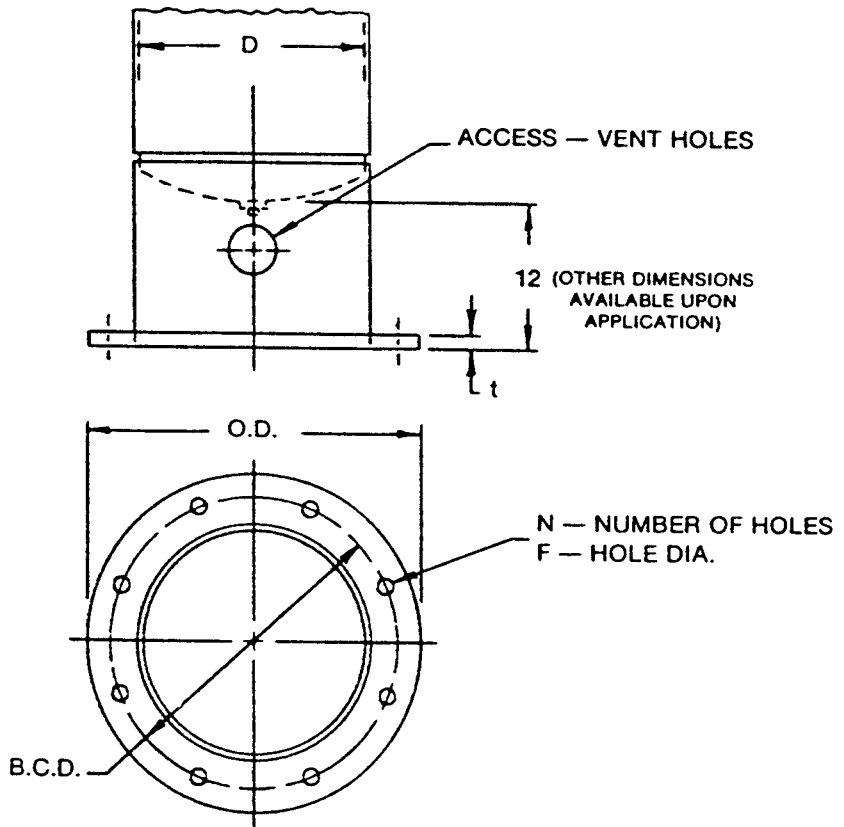
**88-1086-1**

REV.

**2**

DRAWN

DATE: 05-01-95



D — NOMINAL SHELL DIA.	PART NO.	O.D.	t	B.C.D.	N	F HOLE DIA.	APPROX.WT
10	80-1194	16	3/8	13	4	7/8	18
12	80-1195	18	3/8	15	4	7/8	22
14	80-1196	20	3/8	17	4	7/8	26
16	80-1197	22	3/8	19	4	7/8	33
18	80-1198	24	3/8	21	4	7/8	37
20	80-1199	26	1/2	23	4	7/8	56
22	80-1200	28	1/2	25	4	7/8	61
24	80-1201	30	1/2	27	4	7/8	68
26	80-1202	32	1/2	29	4	7/8	74
28	80-1203	34	1/2	31 1/2	4	7/8	79
30	80-1204	36	1/2	33 1/2	4	7/8	97
36	80-1205	42	1/2	39 1/2	4	7/8	120
42	80-1206	48	1/2	45 1/2	4	7/8	144
48	80-1207	54	1/2	51 1/2	4	7/8	204
54	80-1208	60	3/4	57 1/2	8	7/8	269
60	80-1209	66	3/4	63 1/2	8	7/8	307
66	80-1210	72	3/4	69 1/2	8	7/8	425
72	80-1211	80	3/4	76 1/2	8	1 1/8	532
78	80-1212	86	3/4	82 1/2	8	1 1/8	600
84	80-1213	92	3/4	88 1/2	8	1 1/8	661
90	80-1214	98	3/4	94 1/2	8	1 1/8	723
96	80-1215	104	3/4	101	8	1 1/8	922
102	80-1216	110	3/4	107	12	1 1/8	1005
108	80-1217	116	3/4	113	12	1 1/8	1090