

**UNIVERSAL SILENCER***Acoustic and Emission Technologies*

PO Box 411 Stoughton, WI 53589

608-873-4272 Fax 608-873-4298

info@universalsilencer.com

© www.universalsilencer.com

**MOUNTING
ARRANGEMENTS**

DRAWING NO.

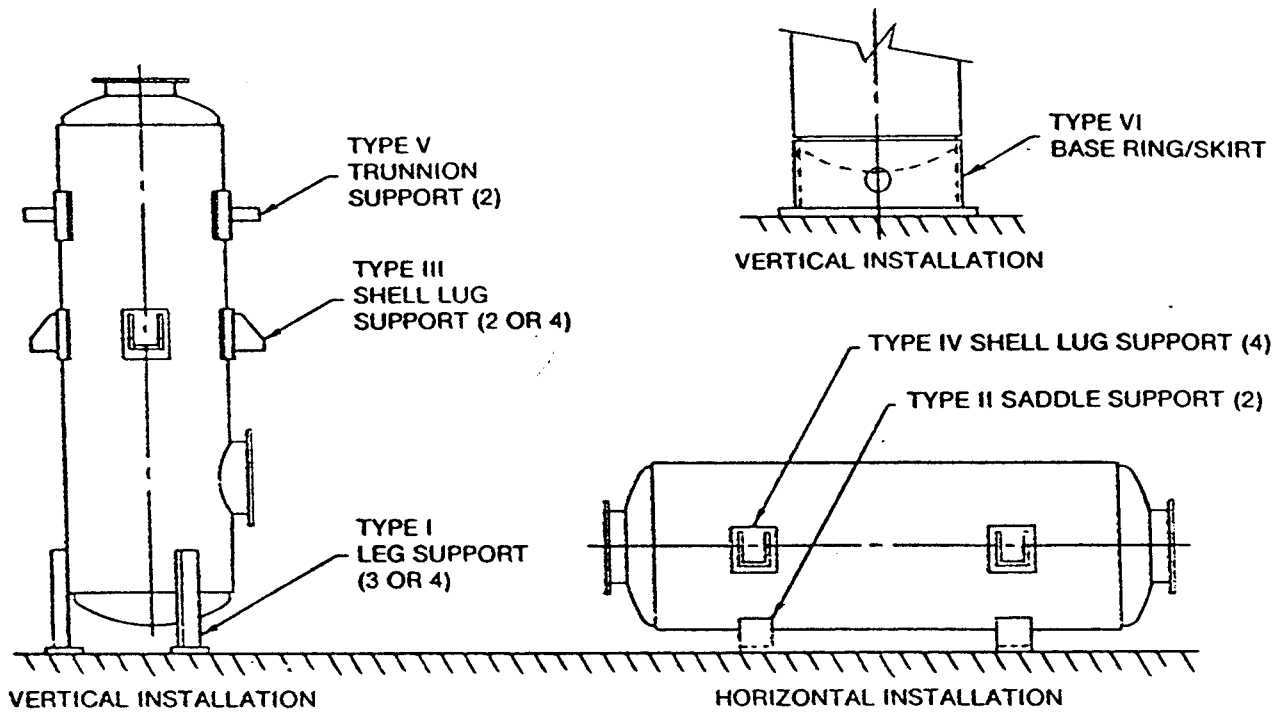
88-1078

REV.

1

DRAWN

DATE 5-1-82



MOUNTING ARRANGEMENTS	SPECIFICATION NUMBER
TYPE I — LEG SUPPORTS	DRAWING NO. 88-1070-1
TYPE II — SADDLE SUPPORTS	DRAWING NO. 88-1073-1
TYPE III — SHELL LUG SUPPORTS	DRAWING NO. 88-1072-1
TYPE IV — SHELL LUG SUPPORTS	DRAWING NO. 88-1074-1
TYPE V — TRUNNION SUPPORTS	DRAWING NO. 88-1077-1
TYPE VI — BASE RING/SKIRT SUPPORTS	DRAWING NO. 88-1086-1