



UNIVERSAL SILENCER

Acoustic and Emission Technologies
 PO Box 411 Stoughton, WI 53589
 608-873-4272 Fax 608-873-4298
 info@universalsilencer.com
 www.universalsilencer.com

**MOUNTING ARRANGEMENTS
 TYPE V
 TRUNNION SUPPORTS**

DRAWING NO.

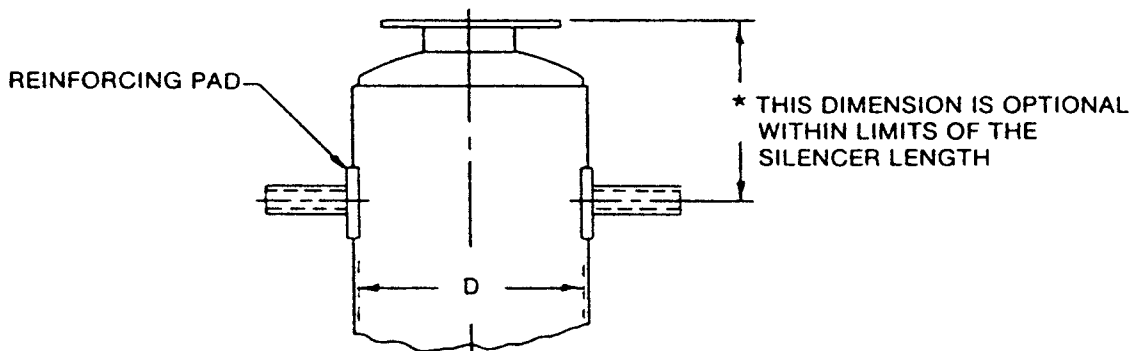
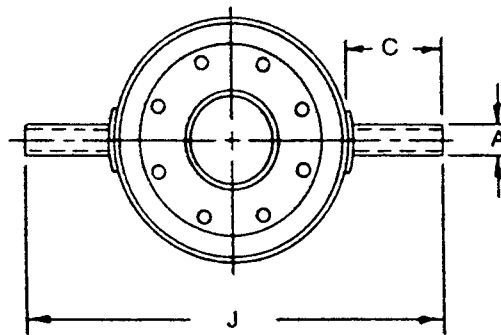
88-1077-1

REV.

1

DRAWN

DATE 4-30-84



D — NOMINAL SHELL DIA.	PART NO.	A PIPE DIA.	C PIPE LENGTH	J	APPROX. WT. 2 TRUNNIONS
10					
12					
14					
16					
18	80-1166	2 $\frac{3}{8}$	4	26 $\frac{1}{8}$	5
20	80-1166	2 $\frac{3}{8}$	4	28 $\frac{3}{16}$	5
22	80-1166	2 $\frac{3}{8}$	4	30 $\frac{3}{16}$	5
24	80-1166	2 $\frac{3}{8}$	4	32 $\frac{3}{16}$	5
26	80-1166	2 $\frac{3}{8}$	4	34 $\frac{3}{16}$	5
28	80-1167	3 $\frac{1}{2}$	4	36 $\frac{3}{16}$	11
30	80-1167	3 $\frac{1}{2}$	4	38 $\frac{1}{4}$	11
36	80-1167	3 $\frac{1}{2}$	4	44 $\frac{1}{4}$	11
42	80-1170	3 $\frac{1}{2}$	6	54 $\frac{1}{4}$	14
48	80-1170	3 $\frac{1}{2}$	6	60 $\frac{3}{8}$	14
54	80-1170	3 $\frac{1}{2}$	6	66 $\frac{3}{8}$	14
60	80-1168	4 $\frac{1}{2}$	6	72 $\frac{3}{8}$	25
66	80-1168	4 $\frac{1}{2}$	6	78 $\frac{1}{2}$	25
72	80-1168	4 $\frac{1}{2}$	6	84 $\frac{1}{2}$	25
78	80-1168	4 $\frac{1}{2}$	6	90 $\frac{1}{2}$	25
84	80-1168	4 $\frac{1}{2}$	6	96 $\frac{1}{2}$	25
90	80-1168	4 $\frac{1}{2}$	6	102 $\frac{1}{2}$	25
96	80-1168	4 $\frac{1}{2}$	6	108 $\frac{1}{2}$	25
102	80-1169	5 $\frac{9}{16}$	6	114 $\frac{1}{2}$	46
108	80-1169	5 $\frac{9}{16}$	6	120 $\frac{1}{2}$	46