

**UNIVERSAL SILENCER**

Acoustic and Emission Technologies

PO Box 411 Stoughton, WI 53589

608-873-4272 Fax 608-873-4298

info@universalsilencer.com

www.universalsilencer.com

RAINCAPS

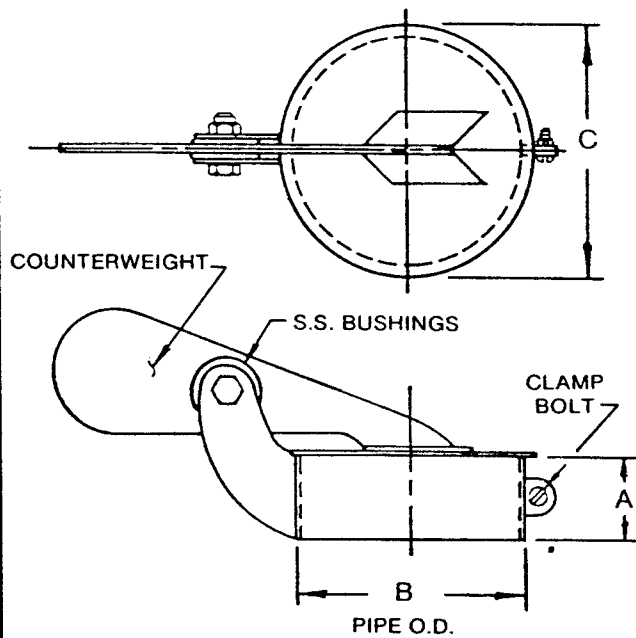
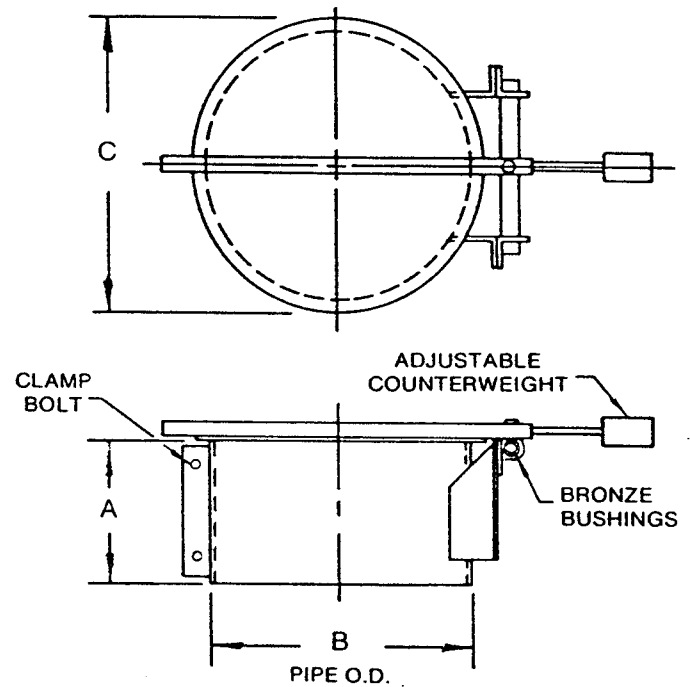
DRAWING NO.

88-1075

REV.

DRAWN JAH

DATE 10/8/81

**TYPE G — PIPE SIZES 1" - 6"****TYPE G****TYPE S — PIPE SIZES 8" - 24"****TYPE S**

SIZE	PART NO.	A	B		C
			MIN.	MAX.	
1	80-1061	1½	1¼	1 ⁷ / ₁₆	1 ¹¹ / ₁₆
1½	80-1062	1½	1¾	1 ¹⁵ / ₁₆	2 ³ / ₁₆
2	80-1063	1½	2¼	2 ⁷ / ₁₆	2 ¹¹ / ₁₆
2½	80-1064	1½	2¾	2 ¹⁵ / ₁₆	3 ³ / ₁₆
3	80-1065	1½	3½	3 ¹¹ / ₁₆	3 ¹⁵ / ₁₆
3½	80-1066	1½	4	4 ³ / ₁₆	4 ⁷ / ₁₆
4	80-1067	1½	4½	4 ¹¹ / ₁₆	4 ¹⁵ / ₁₆
5	80-1068	1½	5½	5 ¹¹ / ₁₆	5 ¹⁵ / ₁₆
6	80-1165	1½	6 ⁵ / ₈	6¾	7

SIZE	PART NO.	A	B	C
			MAX.	
8	80-1035	5¾	8¾	10
10	80-1036	5¾	10 ⁷ / ₈	12
12	80-1037	5¾	12 ⁷ / ₈	15
14	80-1038	5¾	14 ¹ / ₈	16
16	80-1039	5¾	16 ¹ / ₈	18
18	80-1040	5¾	18 ¹ / ₈	20
20	80-1041	5¾	20 ¹ / ₈	22
22	80-1042	5¾	22 ¹ / ₈	24
24	80-1161	5¾	24 ¹ / ₈	26

- NOTES:**
1. To install, slip over exhaust pipe and tighten clamp bolts.
 2. On sizes 8" - 24", adjust counterweight as required, depending upon operating conditions.
 3. Other intermediate sizes between 1" and 6" available on request.