



UNIVERSAL SILENCER
 Acoustic and Emission Technologies
 PO Box 411 Stoughton, WI 53589
 608-873-4272 Fax 608-873-4298
 info@universalsilencer.com
 www.universalsilencer.com

**MOUNTING ARRANGEMENTS
 TYPE IV
 HORIZONTAL SHELL
 LUG SUPPORTS**

DRAWING

88-1074-1

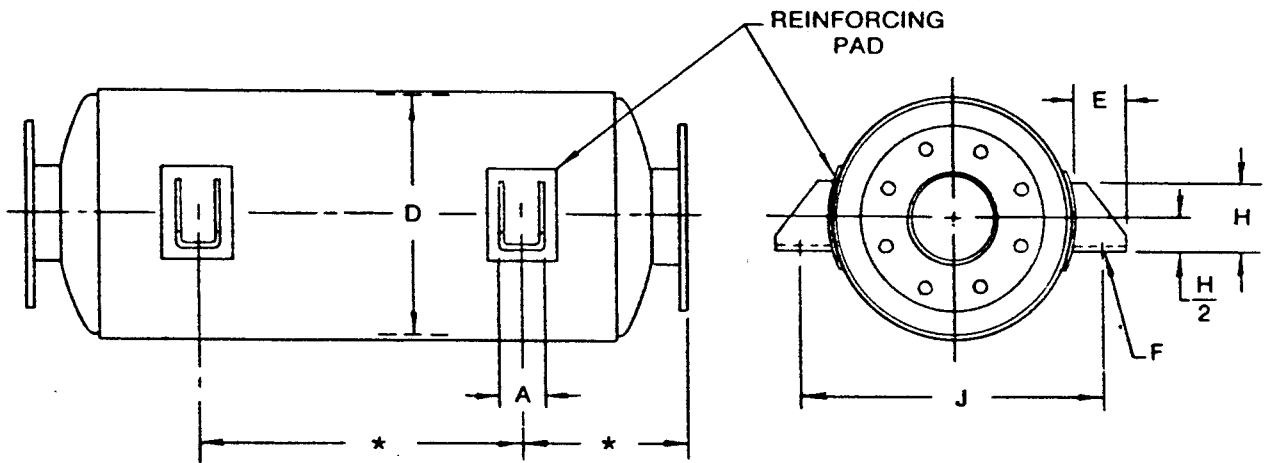
REV.

2

DRAWN

DATE

12-30-94



*THESE DIMENSIONS ARE OPTIONAL
 WITHIN LIMITS OF THE
 SILENCER LENGTH

D - NOMINAL SHELL DIA.	PART NO.	A	E	H	F HOLE DIA.	J	APPROX. WT. 1 LUG
10	80-1097	3	3	5	3/4	13%	1
12	80-1097	3	3	5	3/4	15%	1
14	80-1097	3	3	5	3/4	17%	1
16	80-1097	3	3	5	3/4	19%	1
18	80-1098	4	4	7	1	23 1/2%	6
20	80-1098	4	4	7	1	25 5/8%	6
22	80-1098	4	4	7	1	27 1/8%	6
24	80-1098	4	4	7	1	29 1/8%	6
26	80-1098	4	4	7	1	31 1/8%	6
28	80-1098	4	4	7	1	33 1/8%	6
30	80-1098	4	4	7	1	35%	6
36	80-1098	4	4	7	1	41%	6
42	80-1099	5	5	8	1 1/4	49%	12
48	80-1099	5	5	8	1 1/4	55%	12
54	80-1099	5	5	8	1 1/4	61%	12
60	80-1099	5	5	8	1 1/4	67%	13
66	80-1099	5	5	8	1 1/4	74	13
72	80-1099	5	5	8	1 1/4	80	13
78	80-1100	6	6	10	1 3/8	88	23
84	80-1100	6	6	10	1 3/8	94	23
90	80-1100	6	6	10	1 3/8	100	23
96	80-1100	6	6	10	1 3/8	106	23