



UNIVERSAL SILENCER

Acoustic and Emission Technologies
 PO Box 411 Stoughton, WI 53589
 608-873-4272 Fax 608-873-4298
 info@universalsilencer.com
 www.universalsilencer.com

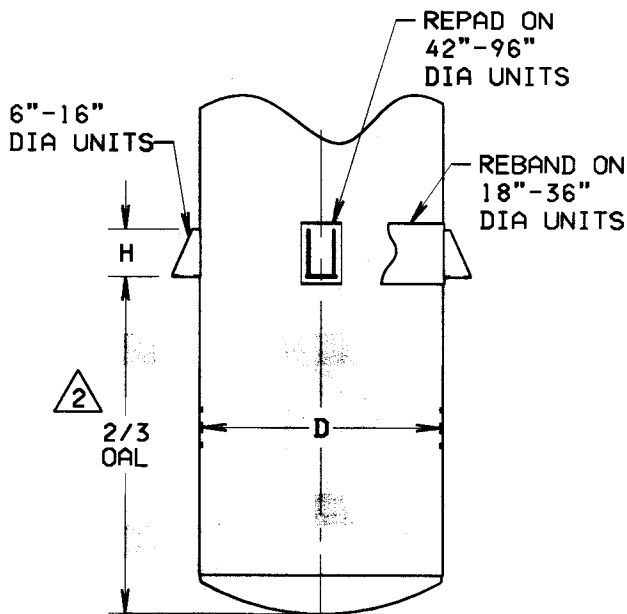
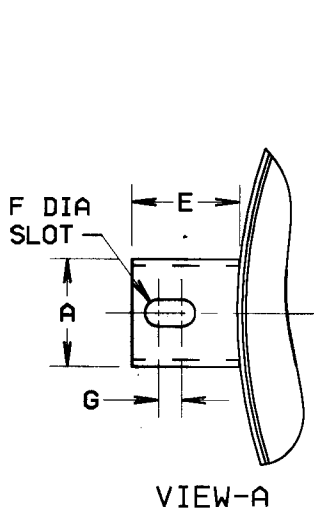
**MOUNTING ARRANGEMENTS
 TYPE III VERTICAL
 SHELL LUG SUPPORTS**

DRAWING NO.

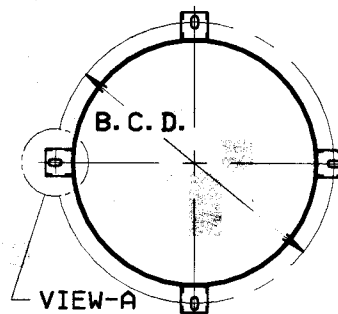
88-1072-1 3

REV.

DRAWN TAH CHECK BJM
 DATE 5-10-00 DATE 5-10-00



D-DIA.	PART NUMBER	A	E	F	G	H	$\triangle 1$ B. C. D.	APPROX WT (4) LUGS
6	80-1690	2	2	.50	.50	3.50	8.38	2 LBS
8	80-1690	2	2	.50	.50	3.50	10.38	2 LBS
10	80-1073	3	3	.75	.63	5	13.63	6 LBS
12	80-1073	3	3	.75	.63	5	15.63	6 LBS
14	80-1073	3	3	.75	.63	5	17.63	6 LBS
16	80-1073	3	3	.75	.63	5	19.63	6 LBS
18	80-1074	4	4	1.00	.88	7	23.50	40 LBS
20	80-1074	4	4	1.00	.88	7	25.56	44 LBS
22	80-1074	4	4	1.00	.88	7	27.56	47 LBS
24	80-1074	4	4	1.00	.88	7	29.56	50 LBS
26	80-1074	4	4	1.00	.88	7	31.56	53 LBS
28	80-1074	4	4	1.00	.88	7	33.56	56 LBS
30	80-1074	4	4	1.00	.88	7	35.63	59 LBS
36	80-1074	4	4	1.00	.88	7	41.63	68 LBS
42	80-1075	5.50	5.69	1.25	1.25	8	49.63	52 LBS
48	80-1075	5.50	5.69	1.25	1.25	8	55.75	52 LBS
54	80-1075	5.50	5.69	1.25	1.25	8	61.75	52 LBS
60	80-1075	5.50	5.69	1.25	1.25	8	67.75	52 LBS
66	80-1075	5.50	5.69	1.25	1.25	8	74.00	52 LBS
72	80-1075	5.50	5.69	1.25	1.25	8	80.00	52 LBS
78	80-1076	6.50	6.75	1.38	1.38	10	88.00	100 LBS
84	80-1076	6.50	6.75	1.38	1.38	10	94.00	100 LBS
90	80-1076	6.50	6.75	1.38	1.38	10	100.00	100 LBS
96	80-1076	6.50	6.75	1.38	1.38	10	106.00	100 LBS



NOTES:

- $\triangle 1$ TOLERANCE ON B. C. D. = $\pm 1/8"$
- $\triangle 2$ STANDARD LOCATION.